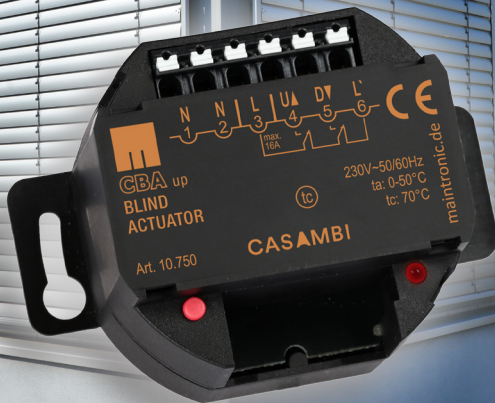


Casambi blind actuator UP

CBA UP Item.No.: 10.750



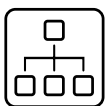
maintronic



- Blind actuator for roller shutter, blinds, awnings, ...
- Wireless controlled by Casambi
- Local control
- Rich timer features
- Flush-mounted housing

Casambi blind actuator for roller blinds / blinds / awnings. Automate your environment with Casambi ready sensors. With your tablet or smartphone controlling and configuration such as control time functions is very convenient and easy. Safe operation, forget sticking relays thanks to built-in mutual locking.

Quick installation due to a compact terminal, all internally wired for motor connection cable. Extended comfort functions such as longpress, toggle, scene and group functions.



Group devices

Create groups for joint control.



Timer features

Run blinds with specific time.



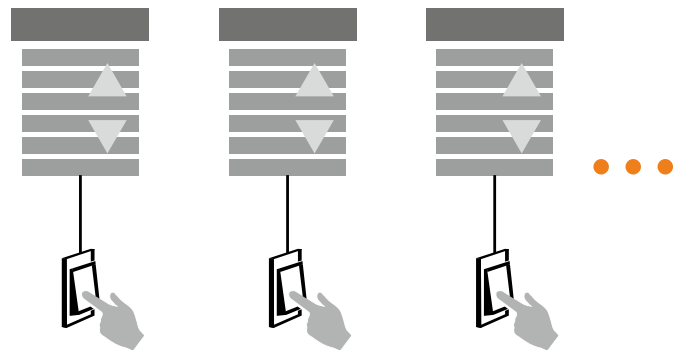
Astro function

Drive the blind to sun times.



Secure motor control

Hard and software interlocked due to two 16A positively driven changeover relays.

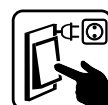


Additional control options:



Casambi enabled wireless switches

Wireless Switch for fixed installations.



Local control

Separate output for external blind switch.

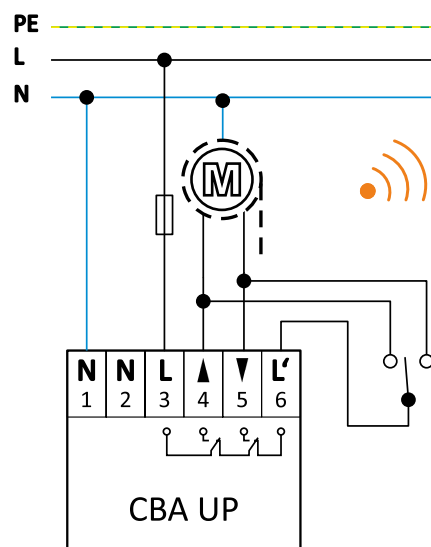
Casambi blind actuator UP

CBA UP Item.No.: 10.750

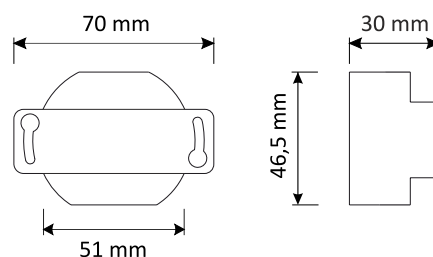


Specifications

Power supply		130-240V AC 50/60Hz
Switching type		16A locked relay
Fuse		External fuse max 10A required
Power consumption	Standby	0,22W
	Switch operation	0,70W
Terminals and wiring	Phoenix push-in spring connection	0,5 - 1,5 mm ² fine / single-wire 0,5 - 0,75 mm ² fine-wire with ferrule
Controls and indicators		DeviceButton, Status-LED
Environment	Type of protection	IP20
	Protection class	Class II
	Temperature ambient ta	-0°...+50° Celsius
	Temperature critical tc	70° Celsius
	Humidity	5 - 80% non-condensing
Protocol	Casambi	App available for Android and Apple
Output L`		Release Phase for external standard blind buttons
Design	Construction	Flush mouted housing
	Mounting	Installation in junction boxes
	Dimensions (Height x width x depth) mm	46,5 x 70(51) x 30
	Weight	0,15 kg
	Ceiling installation	Ø 55mm
Customs	HS-Code/ TARIC-Number	85365080



Connection diagram



Dimensions



Easy comissioning and control by Casambi App



Carl-Zeiss-Str. 10-14
97424 Schweinfurt / Germany

Tel. +49(0)9721-7766 0
Fax. +49(0)9721-7766 18

www.maintronic.de
info@maintronic.de

Valid from following versions: H1a, F0.7 - Document: 10750_TD_en_A4_CBA_20200207