

CASAMBI

- 300W Retrofit-Universal-Dimmer
- Advanced Adaptive Dimming (1)
- Control with Casambi and Push Button
- Load no. indicator
- Zero load dimming
- Soft-Off
- Fadetime
- R,L,C including LED Retrofit

Functions

Digital leading edge and trailing edge phase dimmer with automatic load detection and Advanced Adaptive Dimming (1) for 1 dimmed phase with one connected load 3-300VA. Installation in flush-mounted boxes.

Casambi Bluetooth operation

Through the Casambi-App on your tablet or smartphone, controlling or configuration is very convenient and easy.

„Advanced Adaptive Dimming“ (1)

This device is developed especially for the needs of modern lighting where the lighting source typically is LED. Easy commissioning due to an automatic measure during the initial power cycle.

Almost magical, the load is automatically measured. AdaptiveDIM calculates the optimum dimming characteristic and sets a stable MIN and MAX level.

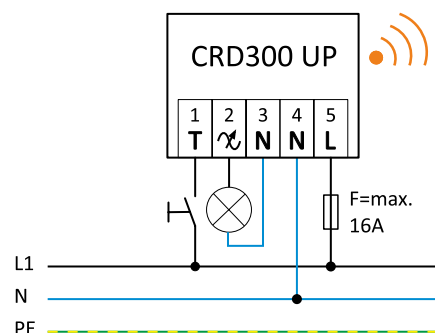
Maximum dimming comfort with AdaptiveDim even for mixed load combinations.



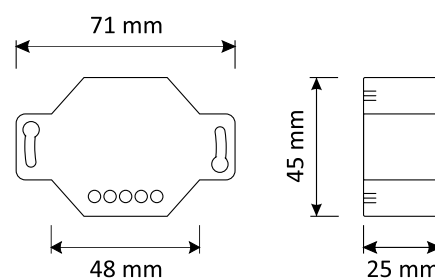
CRD300 UP

Item No.: 10.271

Specification	Item no. 10.271	DRD300 UP
Rated Voltage		220-240V AC
Mains frequency		50/60Hz
Connected Load		4-300 W
Power loss	Standby / Operation	0,6W / 1,8W at full load
Terminals and wiring	Screw terminal	stranded wire: 0,2 ... 2,5 mm ² single wire: 0,2 ... 4 mm ²
Operation- and indication units		Device Button, Status-LED
Protection circuits	Short circuit with auto restart, over temperature (derating), over current, over Voltage	
Umgebung	Type of protection DIN EN 60529	IP20, Class II
	Temperature ambient ta	-0°...+50° Celsius
	Temperature critical tc	70° Celsius
	Humidity	5 - 80% non-condensing
Casambi	Bluetooth Low Energy (BLE)	App for Android and Apple
Alternate control		Push Button
Control range	brightness curve	0; 0,1-100 % gemäß IEC 62386-102 (logarithmic)
		Linear or customized characteristic on request
Approbation	CE-Mark	
Design	Construction	Concealed housing
	Mounting	Installation in junction boxes
Dimensions	(Höhe x Breite x Tiefe) mm	45 x 48 x 25 mm
	Gehäuse, Farbe	Kunststoff, Grau
	Gewicht	0,150 kg
Customs	HS-Code/ TARIC-Number	85365080
Co-applicable documents	instruction manual	
Important: Notice all safety instructions and related documents for Installation and operation. Names, trademarks, products or companies can be claimed. All rights are on their respective owners.		



Wiring diagram



Dimensions



Fixture: CRD300 1CH, DIM

1 Channel phase dimmer



Figure: Expert Mode

- 1 Channel phase dimmer
- + Access to the admin parameters
- + Re-measuring the load
- + Debug functions