

21W Constant current Dip Switch-FLS Series

FLS-21-500 LD



■ Approve



■ Features

- Class II, SELV, built-in/independent
- Input Voltage 220-240VAC
- Protections: SCP/OLP/OVP
- Power Factor >0.95
- Efficiency ≥85%
- 5 years warranty

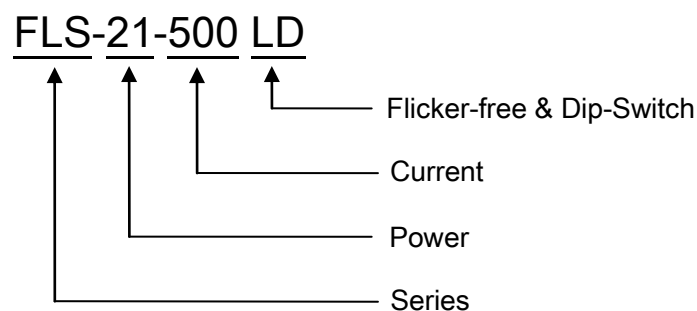
■ Applications

- LED strips
- LED panel
- Down light
- Track spot light

■ Description

FLS-21-500 LD is a 21W constant current LED driver with 150 to 500mA output current and a forward voltage range from 10 to 42Vdc. The output current is selectable by DIP Switch. With it's compact dimensions from 97 x 43 x30 mm it is easy to integrate in LED Panel and down light products. The side covers are available as accessories and allow to use the LED driver independent.

■ Model code



21W Constant current Dip Switch-FLS Series

FLS-21-500 LD

■ Specification

Input	Rated input voltage	220-240VAC
	Range of input voltage	176-264VAC
	DC voltage range	176-280V
	Frequency(Hz)	0/50/60 Hz
	Power Factor	> 0.95@220-240Vac, full load
	Input Current max	0.16A MAX. @Full Load,176VAC
	Start-up time	< 0.5S
	Unload Power Consumption	≤0.5W
	Inrush Current	10A Max.
	THD	< 15%@Full Load,240VAC
	Leakage Current	< 0.7mA(240VAC)
Output	Constant Current Max. *Note.3	150/200/.../500mA
	Unload voltage Max.	52VDC
	Voltage Range(VDC)	10-42VDC
	Rated power	21W Max.
	Current Accuracy	150mA: ±7%@220-240VAC; 200-500mA: ±5%@220-240VAC
	Voltage Regulation	±5% @Full Load , 220-240VAC
	Load Regulation	±5%@220-240VAV
	Hold-up Time	1s max.@Full Load
	Ripple& Noise *Note.2	≤±3% @Full Load,240VAC
	Output LF current ripple(<120Hz)	≤±1% @Full Load,240VAC
	Efficiency(Typ.)	≥85%
Protection	Over Load Protection	103-120% Protection type: Auto Resume
	Over Voltage Protection	> 52VDC Protection type: Auto Resume
	Short circuit Protection	Protection type: Auto Resume
Environment	Operating Temperature	-20°C...+45°C
	tc	80°C
	Storage Temperature	-25°C...+60°C
	Life time	>44,000H@ta=45°C
	Humidity	20%-90%RH
Others	Dimension	With side caps: 131X43X30(LXWXH)mm
		Without side caps: 97X43X30(LXWXH)mm
Safety & EMC	Safety standards	EN 61347-1; EN61347-2-13; EN62384
	Withstand voltage	Input-Output : 3750V/5mA/1min
	Isolation resistance	Input-Output : ≥4MΩ@500VDC
	EMI	EN55015; EN61000-3-2 Class C; EN61000-3-3
	EMS	EN 61547; EN 61000-4-2; EN 61000-4-5 —1000V;
Note	1.All parameters NOT specially mentioned are measured at 240VAC input, full load and 25°C of ambient temperature. 2.Ripple & Noise are measured at 20MHz of bandwidth by using a 300mm twisted pair-wire terminated with a 0.1uF & 47 uF parallel capacitor. 3.Output current can be from 150mA to 500mA. Please see Adjustable Output Current with dip-switch below and contact EAGLERISE for details.	

21W Constant current Dip Switch-FLS Series

FLS-21-500 LD

■ Adjustable Output Current with dip-switch

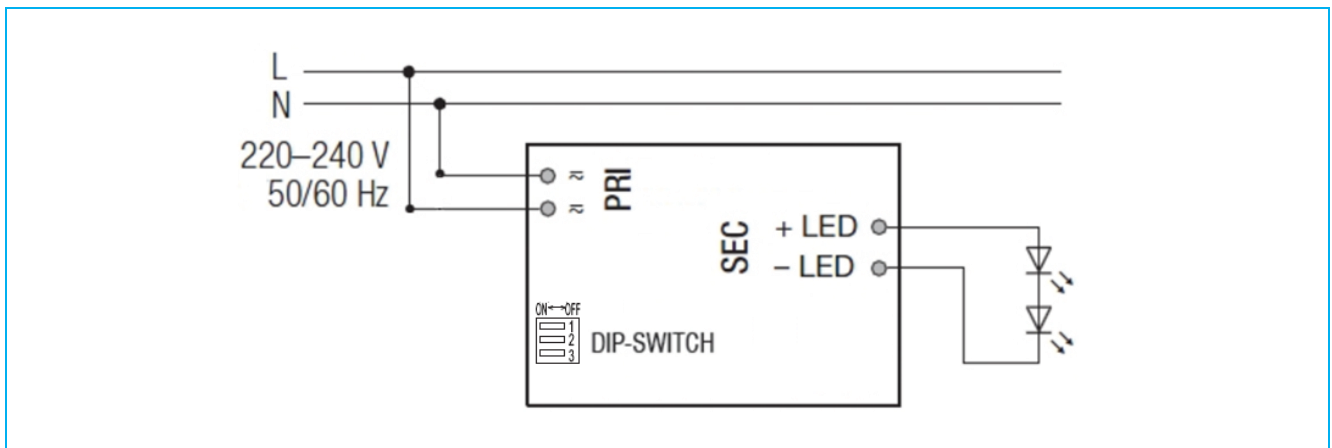
Vo	Po	Io	1	2	3	4
10-42VDC	6.3W	150mA	--	--	--	--
10-42VDC	8.4W	200mA	ON	--	--	--
10-42VDC	10.5W	250mA	--	ON	--	--
10-42VDC	12.6W	300mA	--	--	ON	--
10-42VDC	14.7W	350mA	ON	--	ON	--
10-42VDC	16.8W	400mA	--	ON	ON	--
10-42VDC	18.9W	450mA	ON	ON	ON	--
10-42VDC	21W	500mA*	ON	ON	ON	ON

* Factory default

An additional order for caps and screws needed if you require them.



■ Wiring diagram

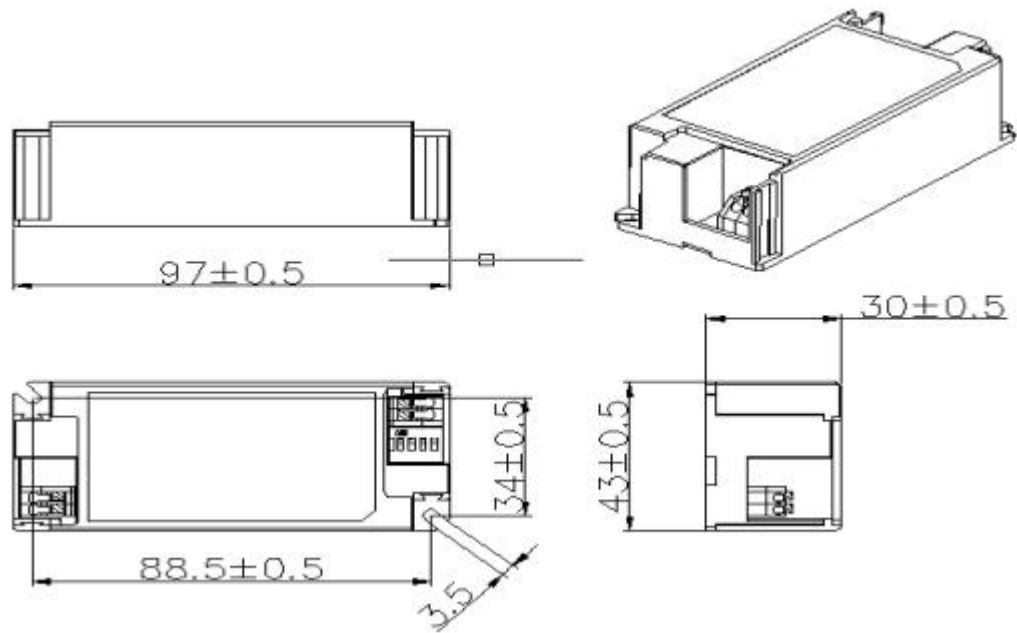


21W Constant current Dip Switch-FLS Series

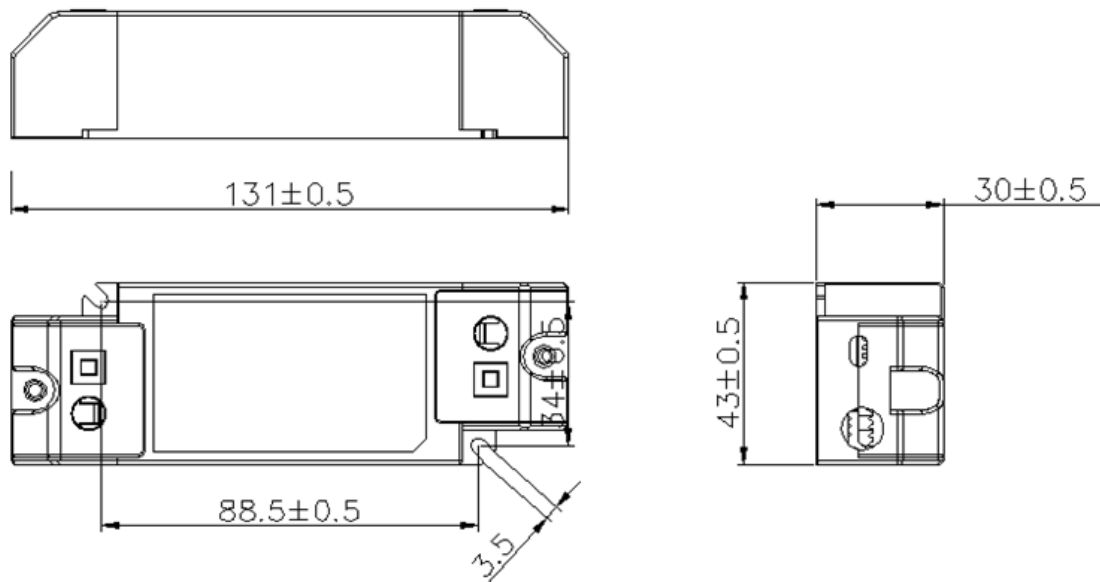
FLS-21-500 LD

■2D diagram

Without side caps



With side caps



21W Constant current Dip Switch-FLS Series

FLS-21-500 LD

■ Operating window

