

80W DALI+PUSH Dimming power supply



Features

- Class II, SELV, independent
- Input Voltage 220-240VAC
- Protections: SCP/OLP/OVP
- Power Factor > 0.95
- Efficiency ≥87%
- 5 years warranty
- Support DALI-2, Push Dimming

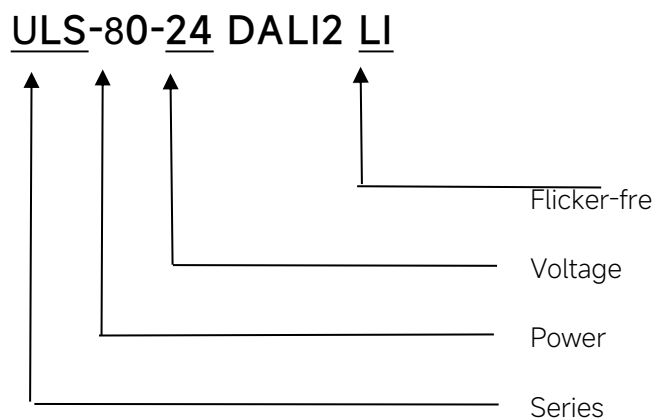
Applications

LED strips, Linear light, Troffer light

◆ Description

LS-80-24 DALI2 LI is an 80W constant Voltage LED driver that operates from 16-264Vac input with 24V output voltage. With its compact dimensions from 290 x 45 x 30.5 mm it is easy to integrate in linear light and troffer light products. To ensure trouble-free operation, protection is provided against output short circuit and over Load.

◆ Model code



◆ Specification

Input	Rated input voltage	220-240VAC
	Range of input voltage	176-264VAC
	Range of input voltage(DC)	176-280V
	Frequency(Hz)	0/50/60 Hz
	Displacement factor	≥0.9@Full load, 230VAC
	Power Factor	> 0.95@220-240VAC, Full load
	Input Current max	0.62A MAX. @Full Load,176VAC
	Start-up time	< 0.5 S
	Unload Power Consumption	≤0.5W
	Inrush Current	50A Max. @Full Load,230VAC
	THD	< 25% @220-240VAC, Full load
	Leakage Current	< 0.5mA(240VAC)
Output	Constant Voltage	24VDC
	Current Range	0-3.33A
	Rated power	80W Max.
	Voltage Accuracy	±5%@220-240VAC
	Hold-up Time	1s max.@Full Load
	Output HF current ripple(≥1KHz)	≤±1% @Full Load,240VAC
	Output LF current ripple(≤120Hz)	≤±1% @Full Load,240VAC
	SVM	≤0.4@Full Load
	P _{st}	≤1@Full Load
	Standby Power	≤0.5W
	Network standby power	≤0.5W
	Efficiency(Typ.)	≥87%
	power range	80W
Dimming	Dimming	YES
	Dimming mode	DALI-2 IEC 62386-101,102,207 & Push
	Dimming depth	1%
	Dimming current range	1-100%
Wiring	Input PIN numbers	4 PINS
	Input PIN cross section	0.5-1.5mm ²
	Input wire gauge.	N/A
	Output PIN numbers	2 PINS
	Output PIN cross section	0.5-1.5mm ²
	Output wire gauge	N/A
Protection	Over Load Protection	105-150% rated output power YES/Auto Resume
	Over Voltage Protection	>

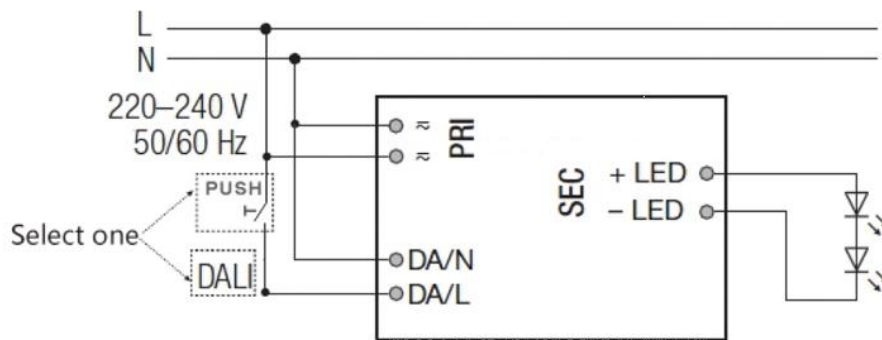
		NO		
	Short circuit Protection	YES/Auto Resume		
	Over Temperature Protection	YES/Auto Resume		
	Type of protection	IP20		
Environment	Operating Temperature	-20°C...+45°C		
	Humidity	20%-90%RH		
	Tc (Max)	85°C		
	Storage Temperature	-30°C...+65°C		
	Insulation grade	Class II		
	Life time	≥44,000h@50°C, full load		
Surface	Dimension	With side caps : 290x45x30.5mm Without side caps :N/A		
	Pieces per box	/		
	Weight	/		
	Shell material	PP (94-V0)		
	Shell color	White		
Circuit Breaker	B10	B13	B16	B20
	8	10	12	14
	C10	C13	C16	C20
	10	12	15	18
Safety & EMC	Safety standards	EN 61347-1; EN61347-2-13; EN62384;		
	Withstand voltage	Input-Output: 3.75KV/5mA/1min Input- Enclosure:		
	Isolation resistance	Input-Output: ≥4MΩ@500VDC		
	EMI	EN55015; EN61000-3-2 Class C; EN61000-3-3		
	EMS	EN 61547; EN 61000-4-2; EN 61000-4-5 —1000V;		
	Certifications	CE/CB/ENEC/EL		
Others	ErP	EU 2019/2020		
	ROHS	ROHS (2011/65/EU) (EU)2015/863		
Others	Warranty	5 years		
Note	<p>1.All parameters NOT specially mentioned are measured at 230VAC input , full load and 25°C of ambient temperature.</p> <p>2.Ripple & Noise are measured at 20MHz of bandwidth by using a 300mm twisted pair-wire terminated with a 0.1uF & 47 uF parallel capacitor.</p> <p>3.Output current can be from 300mA to 700mA. Please see Model list below and contact EAGLERISE for details.</p>			

◆ Model list

Number	Model number	Input			Output		
		Voltage (VAC)	Max.Current (A)	Frequency (Hz)	Normal working current (A)	Normal working current (A)	Power (W)
1	LS-80-24 DALI2 LI	220-240	0.62	50/60	24	0-3.33	80

* Factory default

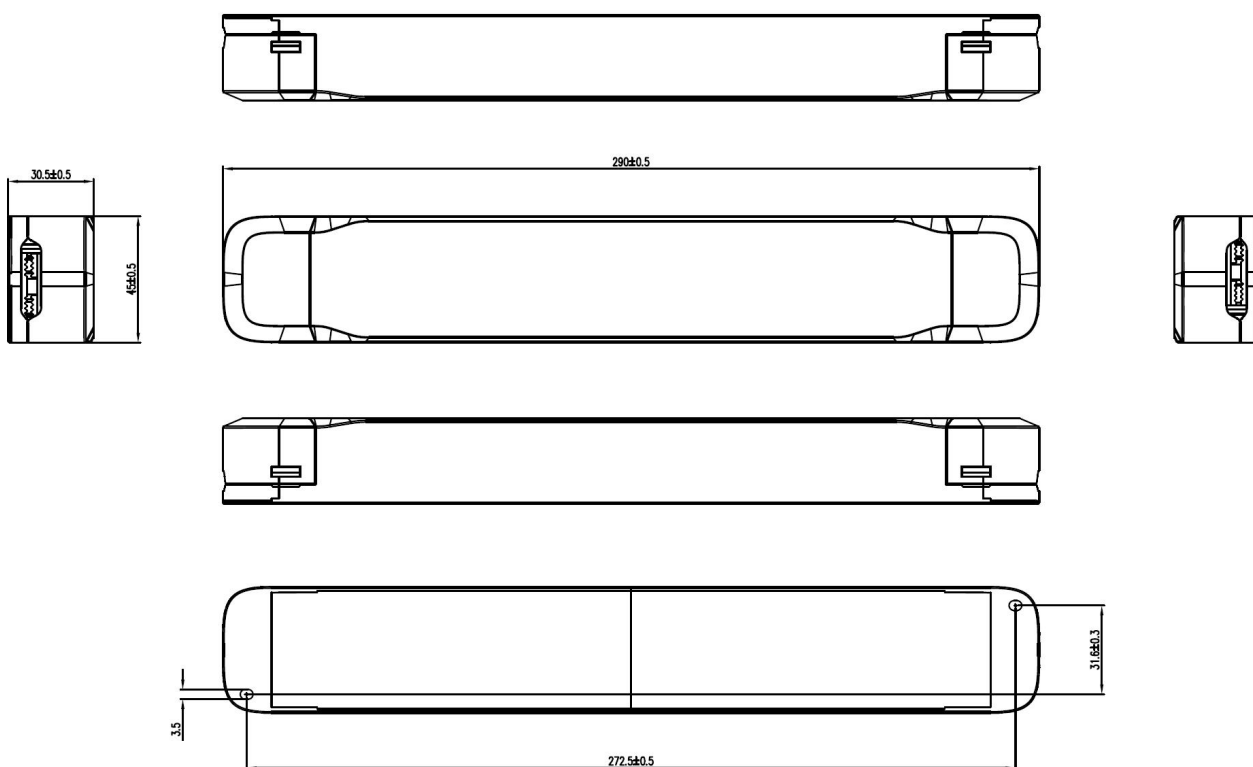
◆ Wiring diagram



◆ 2D diagram

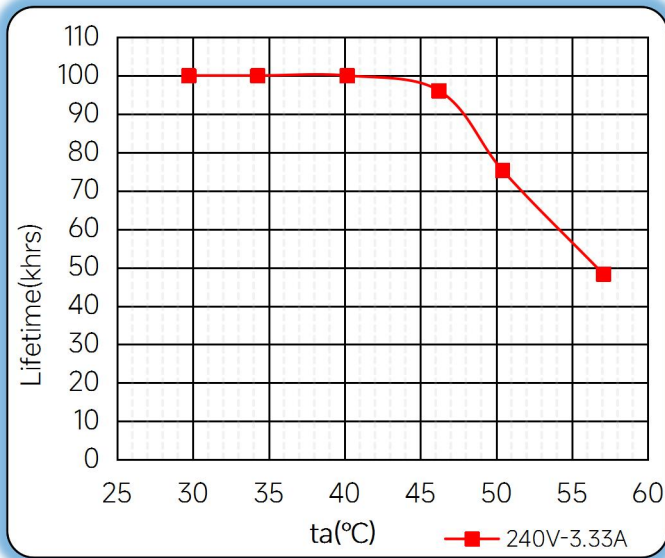
Without side caps

With side caps

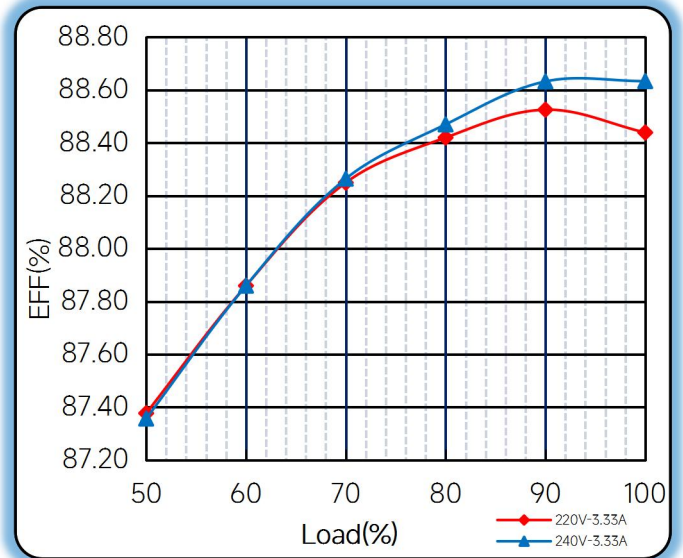


◆ Curve for LS-80-24 DALI2 LI

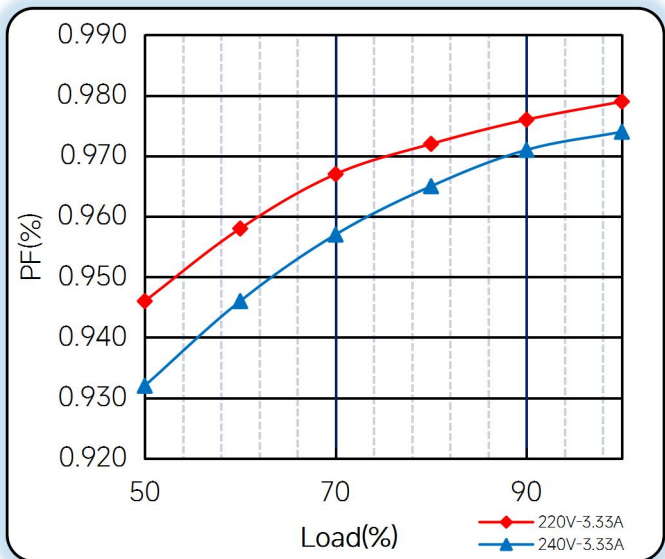
Lifetime vs. Ambient Temperature Curve



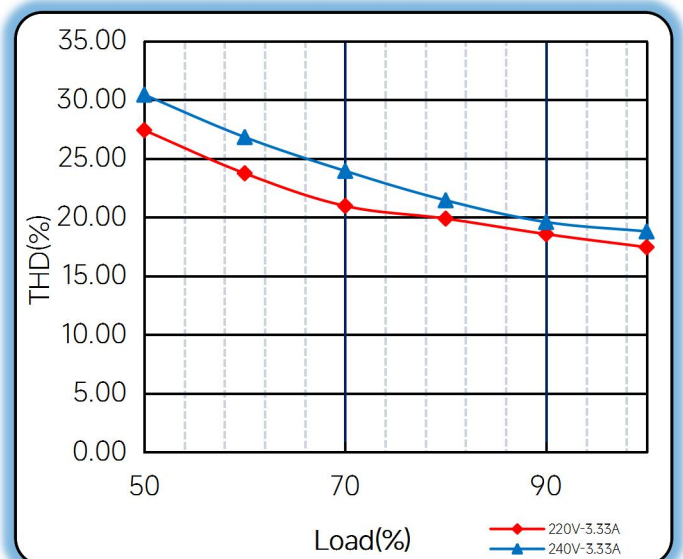
Efficiency vs. Load



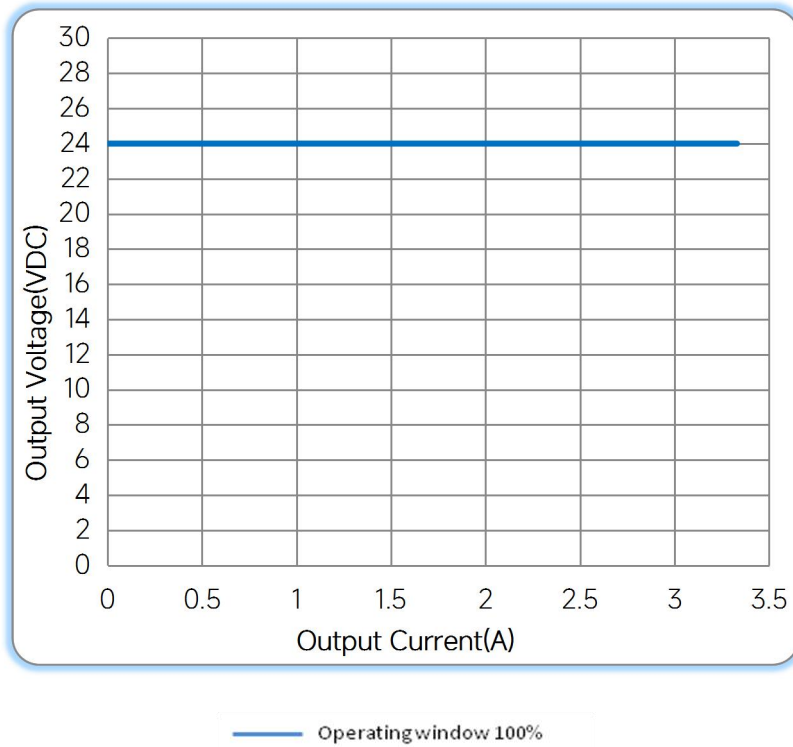
Power Factor Characteristics



THD vs. Load



◆ **Operating window**



◆ **Revision Updates**

ITEM	BEFORE	AFTER	VERSION	DATE
Initial			A	2022/02/15

Tel: (86 757) 8252 3552, 8625 6816

Fax: (86 757) 8626 9260, 8625 6780

E-mail: sales@eaglerise.com

Website : <https://lighting.eaglerise.com/index.aspx>



EAGLERISE



Manual