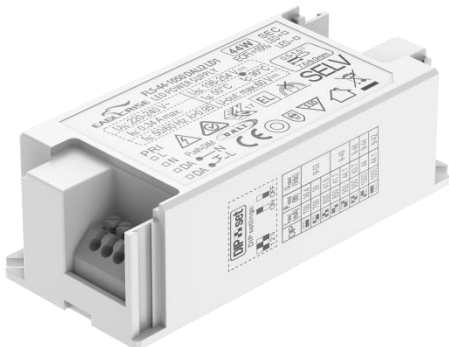


44W DALI+PUSH Dimming power supply



■ Approve



Features

- Class II, SELV, built-in
- Input Voltage 220-240VAC
- Protections: SCP/OLP/OVP/OTP
- Power Factor > 0.95
- Efficiency ≥87%
- Support DALI-2, Push Dimming
- 5 years warranty

Applications

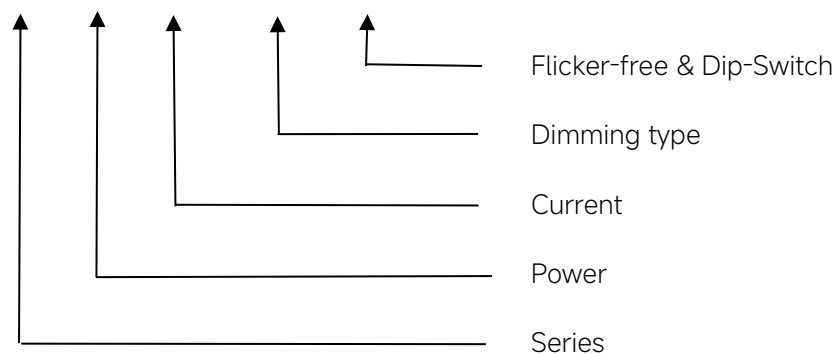
LED panel, down light, spot light, LED strips

◆ Description

FLS-44-1050 DALI2 LD1 is a 44W constant current LED driver with 700 to 1050mA output current and a forward voltage range from 9 to 52Vdc. The output current is adjustable by DIP Switch. With its dimensions from 97 x 43 x 30mm it is easy to integrate in LED Panel, spot and down light products. To ensure trouble-free operation, protection is provided against output short circuit and over Load.

◆ Model code

FLS-44-1050 DALI2 LD1



◆ Specification

Input	Rated input voltage	220-240VAC
	Range of input voltage	176-264VAC
	Range of input voltage(DC)	176-280V
	Frequency(Hz)	0/50/60 Hz
	Displacement factor	≥0.7@Full load, 230VAC
	Power Factor	> 0.95@220-240VAC, full load
	Input Current max	0.34A MAX. @Full Load,176VAC
	Start-up time	< 0.5S
	Unload Power Consumption	≤0.5W
	Inrush Current	30A Max.
	THD	10% Typ. @Full Load,240VAC, I _o =1050mA
	Leakage Current	< 0.7mA(240VAC)
Output	Constant Current Max.	700/.../1050mA
	Unload voltage Max.	60 VDC
	Voltage Range(VDC)	9-52VDC
	Rated power	44.1W Max.
	Current Accuracy	±5% @220-240VAC
	Hold-up Time	1s max.@Full Load
	Output HF current ripple(≥1KHz)	≤±10% @Full Load,240VAC
	Output LF current ripple(≤120Hz)	≤±3% @Full Load,240VAC
	SVM	≤0.4@Full Load
	P _{st}	≤1@Full Load
	Standby Power	≤0.5W
	Network standby power	≤0.5W
	Efficiency(Typ.)	≥87%
	Power range	6.3-44.1W
Dimming	Dimming	YES
	Dimming mode	DALI-2 IEC 62386-101,102,207 & Push
	Dimming depth	1%
	Dimming current range	1 ~100%
Wiring	Input PIN numbers	4 PINS
	Input PIN cross section	0.5-1.5mm ²
	Input wire gauge.	N/A
	Output PIN numbers	2 PINS
	Output PIN cross section	0.5-1.5mm ²
	Output wire gauge	N/A
Protection	Over Load Protection	103-120%
		Protection type: Latch off

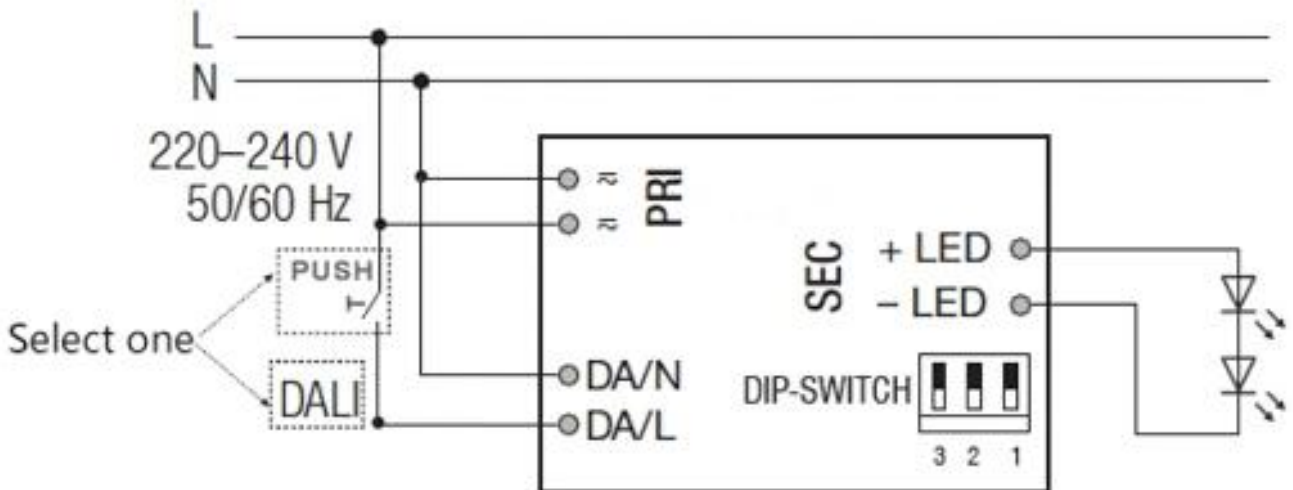
	Over Voltage Protection	> 60VDC				
		Protection type: Latch off				
	Short circuit Protection	Protection type: Latch off				
	Over Temperature Protection	Protection type: Auto Resume				
	Type of protection	IP20				
Environment	Operating Temperature	-20°C...+50°C				
	Humidity	20%-90%RH				
	Tc (Max)	90°C@Full Load,198-264VAC				
	Storage Temperature	-25°C...+60°C				
	Insulation grade	Class II				
	Life time	> 44,000h@50°C@Full Load,220-240VAC				
Surface	Dimension	Without side caps :97X43X30mm				
		With side caps :113X43X30mm				
	Pieces per box	N/A				
	Weight	N/A				
	Shell material	N/A				
	Shell color	White				
Circuit Breaker		B10	B13	B16	B20	B25
		C10	C13	C16	C20	C25
Safety & EMC	Safety standards	EN 61347-1; EN61347-2-13; EN62384				
	Withstand voltage	Input-Output: 3750V/5mA/1min				
		Input- Enclosure: N/A				
	Isolation resistance	Input-Output: ≥4MΩ@500VDC				
	EMI	EN55015; EN61000-3-2 Class C; EN61000-3-3				
	EMS	EN 61547; EN 61000-4-2; EN 61000-4-5 —1000V;				
	Certifications	CE/CB/ENEC/EL/CCC/RCM				
	ErP	EU 2019/2020				
	ROHS	ROHS (2011/65/EU) (EU)2015/863				
Others	Warranty	5 years				
Note	<p>1.All parameters NOT specially mentioned are measured at 240VAC input , full load and 25°C of ambient temperature.</p> <p>2.Ripple & Noise are measured at 20MHz of bandwidth by using a 300mm twisted pair-wire terminated with a 0.1uF & 47 uF parallel capacitor.</p>					

◆ Parameter

Number	Output				Switch position		
	Current (mA)	Voltage (VDC)	Voltage No load (VDC)	Power (W)	1	2	3
1	700mA	9-52VDC	60VDC	36.4W	--	--	--
2	750mA			39W	ON	--	--
3	800mA			41.6W	--	ON	--
4	850mA	9-49VDC		41.7W	ON	ON	--
5	900mA			44.1W	--	--	ON
6	950mA	9-46VDC		43.7W	ON	--	ON
7	1000mA	9-44VDC		44W	--	ON	ON
8*	1050mA	9-42VDC		44.1W	ON	ON	ON

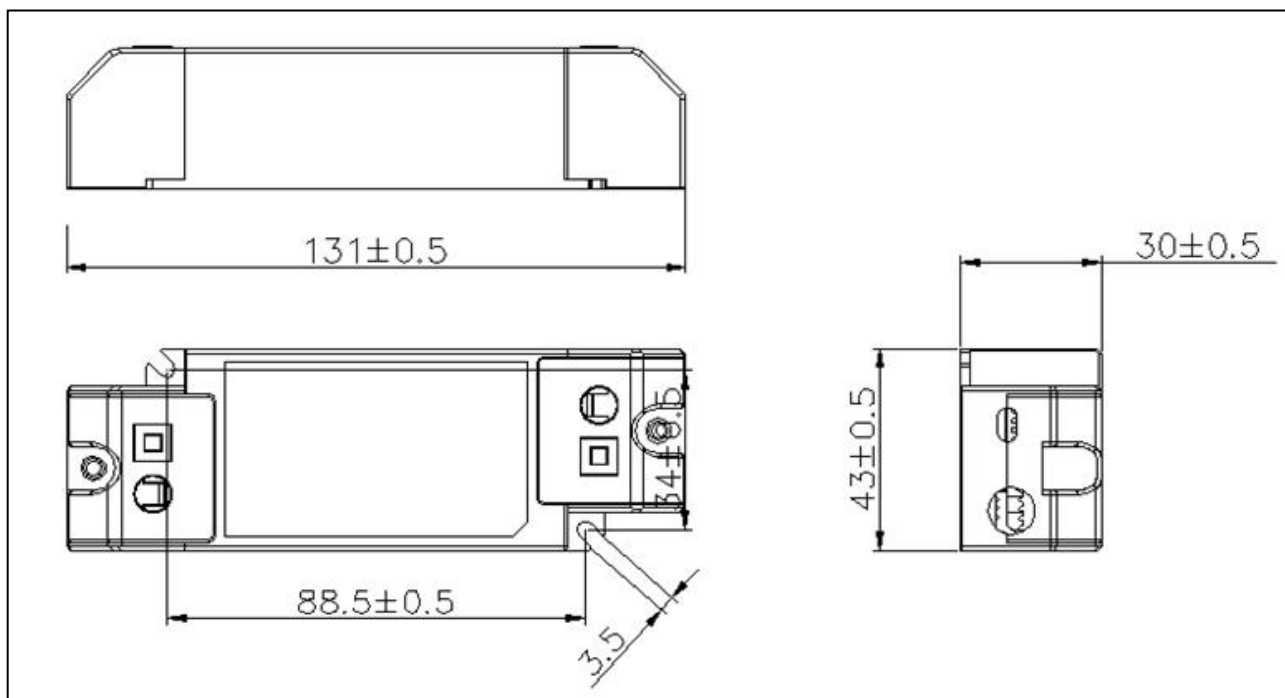
* Factory default

◆ Wiring diagram



◆ **2D diagram**

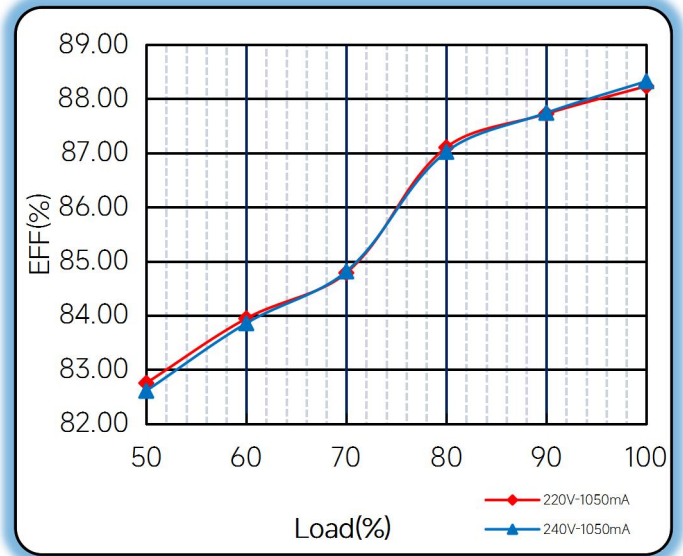
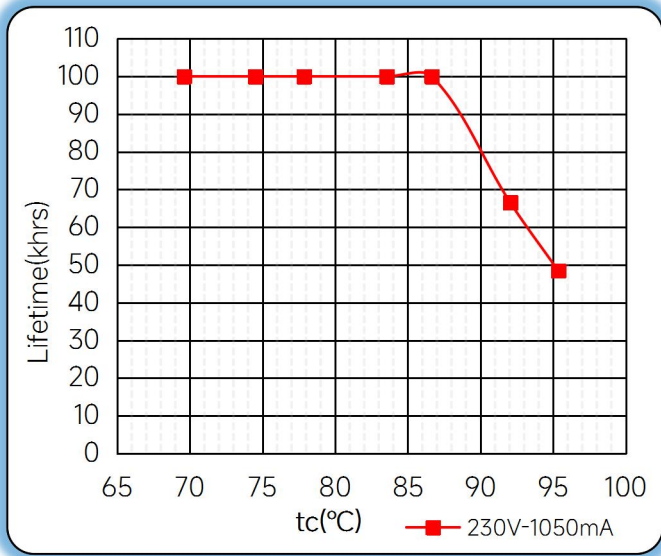
With side caps



◆ Curve for FLS-44-1050 DALI2 LD1, $I_o=1050mA$

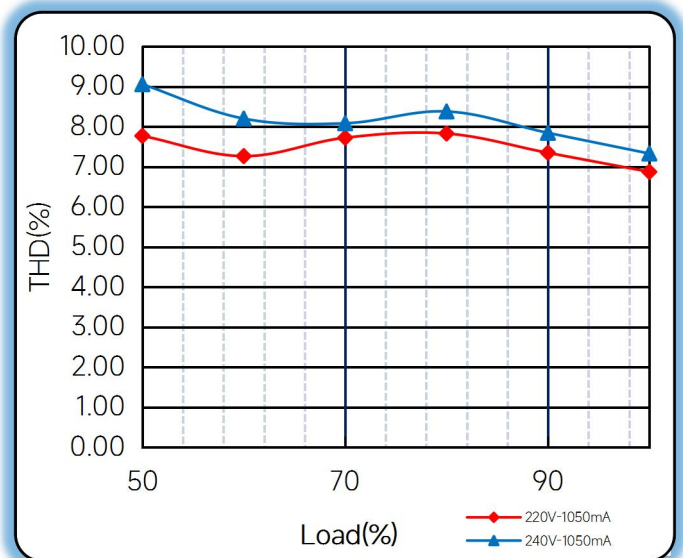
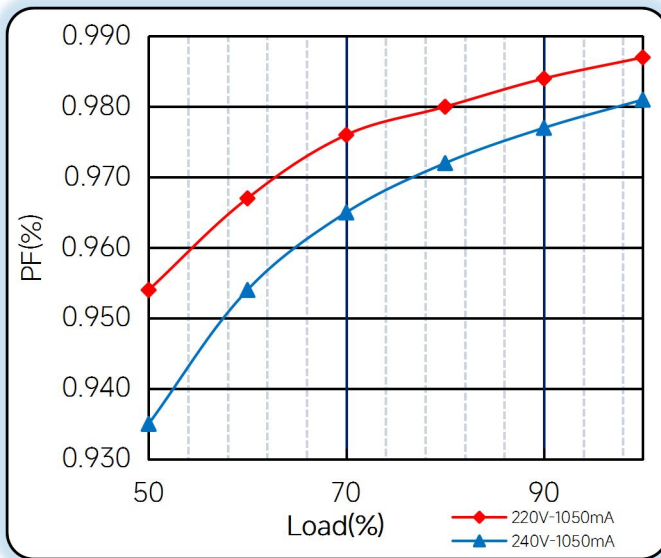
Lifetime vs. Ambient Temperature Curve

Efficiency vs. Load

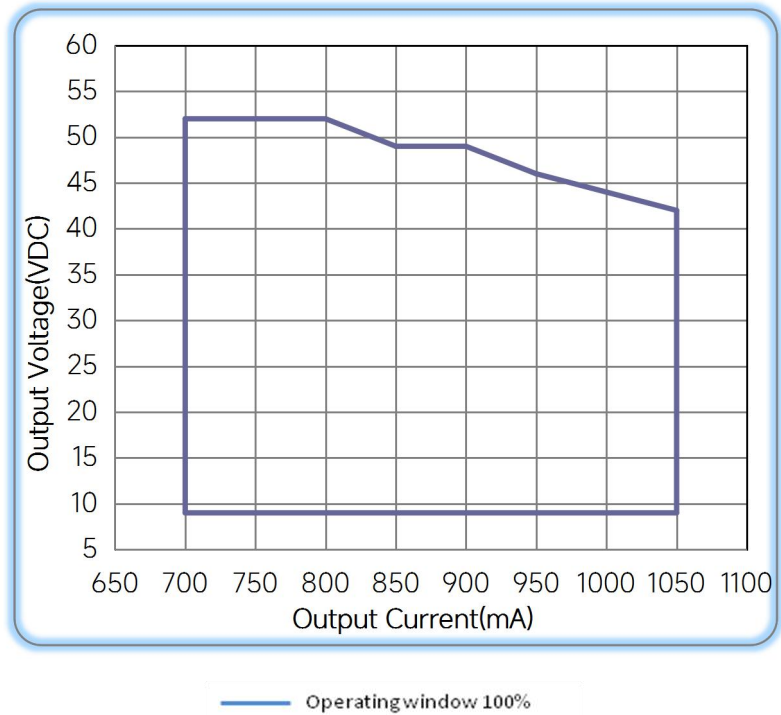


Power Factor Characteristics

THD vs. Load



◆ **Operating window**



◆ **Revision Updates**

ITEM	BEFORE	AFTER	VERSION	DATE
Initial			1.0.0	2021-6-7

Tel: (86 757) 8252 3552, 8625 6816
 Fax: (86 757) 8626 9260, 8625 6780
 E-mail: sales@eaglerise.com
 Website : <https://lighting.eaglerise.com/index.aspx>



EAGLERISE



Manual