

# Customized Waterproof (PU) LED Strip Datasheet

## Product descriptions

- 24V constant voltage strip
- Higher luminous efficiency, stronger energy saving
- High reliability and stability
- CE and ROHS approval

## Features and benefits

- High color rendering index up to Ra 80
- IP67 with PU tube process
- Excellent in waterproof function
- Color temperature 2700-4000K
- Self-adhesive 3M tape at the backside for simple mounting on different surfaces
- 3-years warranty

## Typical Applications

- Indoor or outdoor usage
- Decorative lighting
- Architectural lighting





## Table of Contents

---

Ordering Code Format .....	3
Technical date.....	3
Product Dimensions .....	4
Electric-Optical Characteristics.....	5
Product packing information.....	6
Precaution for use.....	7
Environmental Compliance .....	7
Application Notes.....	7
Resvision History.....	8
About Edison Opto.....	8

## Ordering Code Format

$\frac{6}{X1}$      $\frac{LBU4}{X2}$      $\frac{XX}{X3}$      $\frac{X}{X4}$      $\frac{E0}{X5}$      $\frac{X}{X6}$      $\frac{XX0}{X7}$      $\frac{X}{X8}$

X1	X2		X3		X4		X5	
Item	series		Emitting color		Driver		Length	
6 module	LBU4	FPC	27 30 40	2700K 3000K 4000K	J cv	24v	E0	5.0m

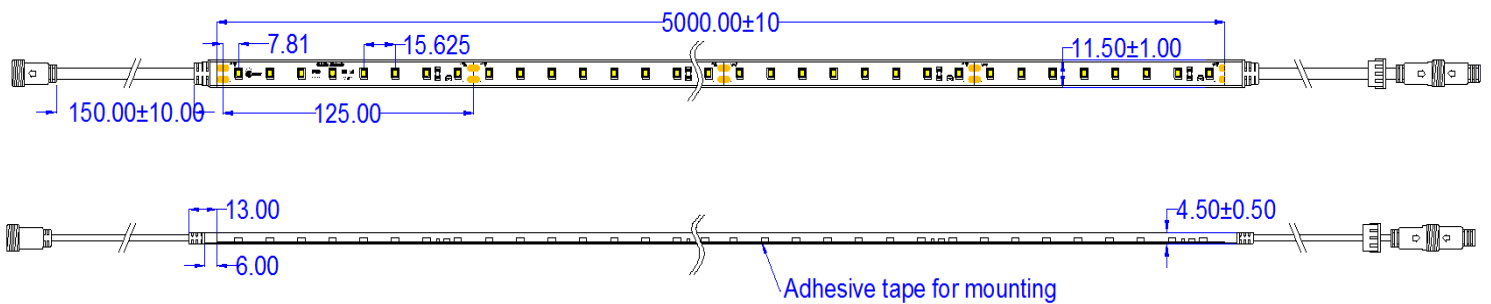
X6	X7		X8
Emitter	Number	of LEDs	Serial No
S 2835	064 112	64pcs 112pcs	xx

## Technical data

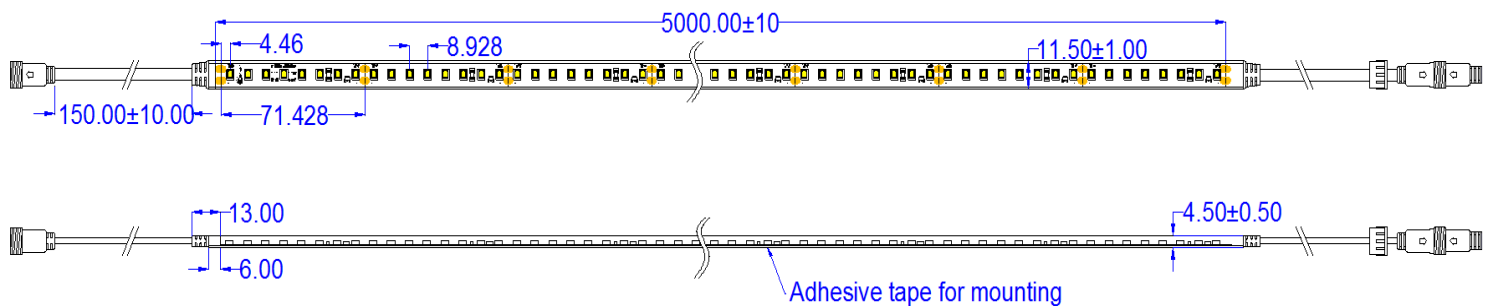
Parameter	Value	Units
Beam characteristic	120	°C
Ambient temperature range	-25~ +45	°C
Tp rated	65	°C
Tc	75	°C
DC supply voltage	24	V
Type of protection	IP67	
Color temperature	2700	K
	3000	K
	4000	K
Number of connection	5.0	M
Risk group(EN62778)	1	

## Product Dimensions

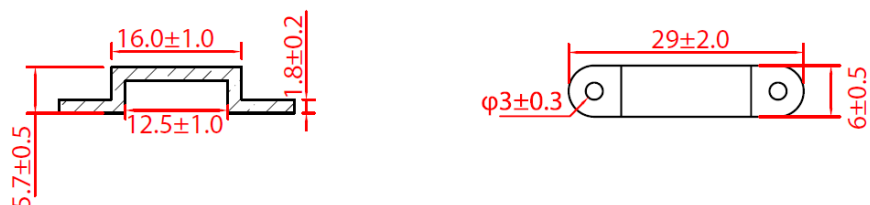
### 6LBU4xxJE0S06401 Dimensions (2835 64D/M IP67 Series)



### 6LBU4xxJE0S11201 Dimensions (2835 112D/M IP67 Series)



## Accessory



### Notice:

1. All dimensions are in millimeters;
2. Tolerance is  $\pm 0.3$ mm unless otherwise noted.

## Electric-Optical Characteristics

### 2835 64D/M IP67 Series

Order Code	Color	CCT	Voltage (V)	Power (W/M)	Luminous flux (Lm/M)	Efficiency (Lm/W)	Ra	IP
6LBU427JE0S06401	Warm White	2700K	24	4.8	600	125	≥80	67
6LBU430JE0S06401	Warm White	3000K	24	4.8	624	130	≥80	67
6LBU440JE0S06401	Neutral White	4000K	24	4.8	672	140	≥80	67

### 2835 112D/M IP67 Series

Order Code	Color	CCT	Voltage (V)	Power (W/M)	Luminous flux (Lm/M)	Efficiency (Lm/W)	Ra	IP
6LBU427JE0S11201	Warm White	2700K	24	8.4	1050	125	≥80	67
6LBU430JE0S11201	Warm White	3000K	24	8.4	1092	130	≥80	67
6LBU440JE0S11201	Neutral White	4000K	24	8.4	1176	140	≥80	67

Notice:

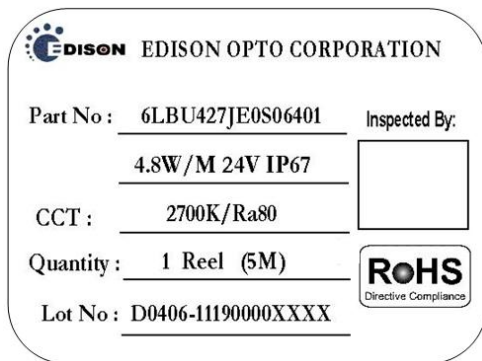
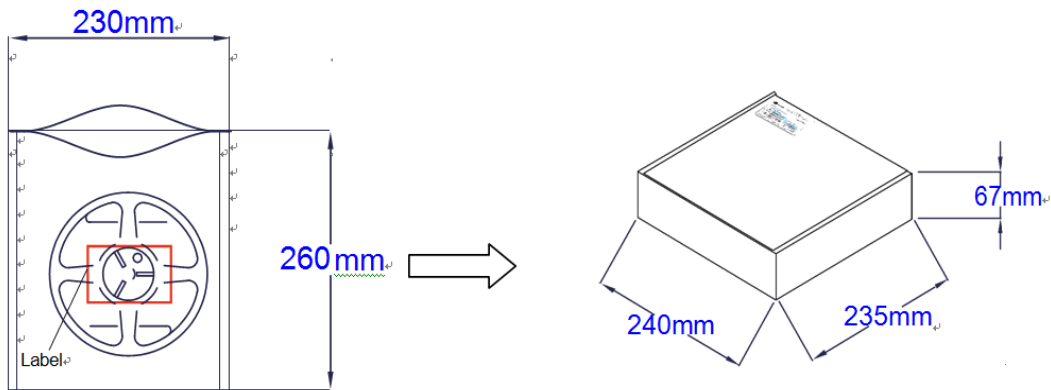
The Maximum and minimum lumen flux are based on ±10% of the typical rate;

The Maximum and minimum power are based on ±10% of the typical rate;

The Maximum and minimum CCT are based on ±10% of the typical rate;

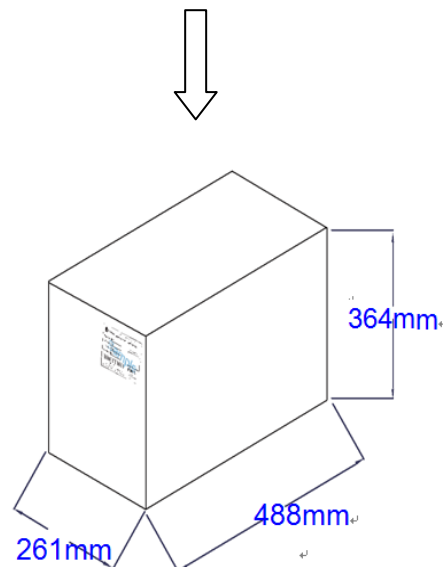
## Product Packaging information

Type	Anti-static bag size(mm)	Anti-static bags/ inner box(pcs)	Inner box/carton(pcs)	Outside Carton size(mm)
6LBU4xxJE0S06401 Series	260x230x10	3	10	488x261x364
6LBU4xxJE0S11201 Series	260x230x10	3	10	488x261x364



### Label information

Part NO. : Order code  
 Color : Color(EmitterBIN color)  
 Quantity : The number of packing  
 Lot NO. : Date code



## Precaution for use

---

1. DO NOT use the products with materials has Sulfur.
2. DO NOT assemble in humid environment or the conditions of containing oxidizing gas such as C1 H<sub>2</sub>S, NH<sub>3</sub>, SO<sub>2</sub>, NOX, etc.
3. DO NOT add or change wires while the circuit of Module s active.Long time exposure to sunlight or UV should be avoided.
4. DO NOT press the product; even a slight pressure may damage the product. The environments such as high temperatures, high humidity or direct expose to sunlight should be avoided since the product is sensitive to these conditions.
5. Installation of LED modules (with power supplies) needs to be made with regard to all applicable and safety standards. Only qualified personnel should be allowed to perform installations.
6. Assembly must not damage or destroy conducting paths on the circuit board.
7. Please ensure that the power supply is of adequate power to operate the total load.
8. The maximum run length from any power feed should be limited to 5000 mm.

## Environmental Compliance

---

The LED strip series are compliant to the Restriction of Hazardous Substances Directive or RoHS. The restricted materials including lead, mercury cadmium hexavalent chromium, polybrominated biphenyls (PBB) and polybrominated diphenyl ether (PBDE) are not used in LED strip series to provide an environmentally friendly product to the customers.

## Application Notes

---

The LED strip series are available in cool white, neutral white and warm white for application such as under-cabinet lighting, cove lighting and wall washing. Moreover, additional fine-tuned high color rendering index (Ra) version of white, neutral white and warm white all make EdiLex strip lighting module the ideal lighting choice for vividly displaying fruit and vegetables and/or refrigeration products, presenting the true color of the products and reflecting the freshness of goods.

## Revision History

---

Item	Description	Release Date
1	Establish order code information	2020/06/04
2		
3		

## About Edison Opto

---

Edison Opto is a leading manufacturer of high power LED and a solution provider experienced in LDMS. LDMS is an integrated program derived from the four essential technologies in LED lighting applications- Thermal Management, Electrical Scheme, Mechanical Refinement, Optical Optimization, to provide customer with various LED components and modules. More Information about the company and our products can be found at [www.edison-opto.com](http://www.edison-opto.com)

Copyright© 2016 Edison Opto. All rights reserved. No part of publication may be reproduced or transmitted in any form or by any means, electronic or mechanical, including photo copy, recording or any other information storage and retrieval system, without prior permission in writing from the publisher. The information in this publication are subject to change without notice.

[www.edison-opto.com](http://www.edison-opto.com)

For general assistance please contact:  
[service@edison-opto.com.tw](mailto:service@edison-opto.com.tw)

For technical assistance  
please contact: LED