

## 42W Constant current Dip Switch-FLS Series

FLS-42-1050 LD



■ Approve



### ■ Features

- Class II, SELV, built-in/independent
- Input Voltage 220-240VAC
- Protections: SCP/OLP/OVP
- Power Factor >0.95
- Efficiency(Typ.) ≥87%
- 5 years warranty

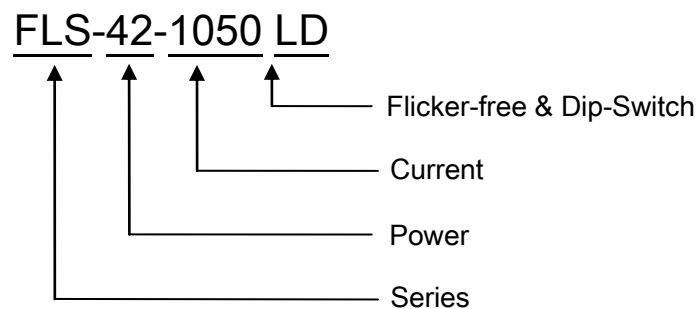
### ■ Applications

- LED strips
- LED panel
- Down light
- Track spot light

### ■ Description

FLS-42-1050 LD is a 42W constant current LED driver with 850 to 1050mA output current and a forward voltage range from 28 to 40Vdc. The output current is selectable by DIP Switch. With its compact dimensions from 97 x 43 x 26mm it is easy to integrate in LED Panel and down light products. The side covers are available as accessories and allow to use the LED driver independent.

### ■ Model code



## 42W Constant current Dip Switch-FLS Series

FLS-42-1050 LD

### ■ Specification

Input	Rated input voltage	220-240VAC
	Range of input voltage	198-264VAC
	Frequency(Hz)	50/60 Hz
	Power Factor	> 0.95 @220-240Vac, Full load, I <sub>o</sub> =1050mA
	Input Current max	0.32A MAX. @Full Load,198VAC
	Start-up time	< 0.5S
	Unload Power Consumption	≤0.5W
	Inrush Current	30A Max.
	THD	10% Typ. @Full Load,230VAC, I <sub>o</sub> =1050mA
	Leakage Current	< 0.5mA(240VAC)
	Output	Constant Current *Note.3
Unload voltage Max.		50 VDC
Voltage Range(VDC).		28-40VDC
Rated power		42W Max.
Current Accuracy		±5%@220-240Vac
Voltage Regulation		±5% @220-240Vac, Full load.
Load Regulation		±5%@220-240Vac
Hold-up Time		1s max.@Full Load
Ripple& Noise *Note.2		≤±3% @Full Load,240VAC
Efficiency(Typ.)		≥87%@Full Load,230VAC
Protection	Over Load Protection	103-120%
		Protection type: Auto Resume
	Over Voltage Protection	> 50VDC Protection type: Auto Resume
Short circuit Protection	Protection type: Auto Resume	
Environment	Operating Temperature	-20°C...+45°C
	t <sub>c</sub>	85°C
	Storage Temperature	-40°C...+80°C
	Life time	>30,000H@45°C
	Humidity	20%-90%RH
Others	Dimension	With side caps: 131X43X26(LXWXH)mm
		Without side caps: 97X43X26(LXWXH)mm
Safety & EMC	Safety standards	EN 61347-1; EN61347-2-13; EN62384
	Withstand voltage	Input-Output : 3750V/5mA/1min
	Isolation resistance	Input-Output : ≥4MΩ@500VDC
	EMI	EN55015; EN61000-3-2 Class C; EN61000-3-3
	EMS	EN 61547; EN 61000-4-2; EN 61000-4-5 —1000V;
Note	1.All parameters NOT specially mentioned are measured at 240VAC input , I <sub>o</sub> =1050mA, full load and 25°C of ambient temperature. 2.Ripple & Noise are measured at 20MHz of bandwidth by using a 300mm twisted pair-wire terminated with a 0.1uF & 47 uF parallel capacitor. 3.Output current can be from 850mA to 1050mA. Please see Adjustable Output Current with dip-switch below and contact EAGLERISE for details.	

## 42W Constant current Dip Switch-FLS Series

FLS-42-1050 LD

### ■ Adjustable Output Current with dip-switch

V <sub>o</sub>	P <sub>o</sub>	I <sub>o</sub>	1	2	3
28-40VDC	34W	850mA	--	--	--
28-40VDC	36W	900mA	ON	--	--
28-40VDC	38W	950mA	--	ON	--
28-40VDC	42W	1050mA*	--	--	ON

\* Factory default

An additional order for caps and screws needed if you require them.

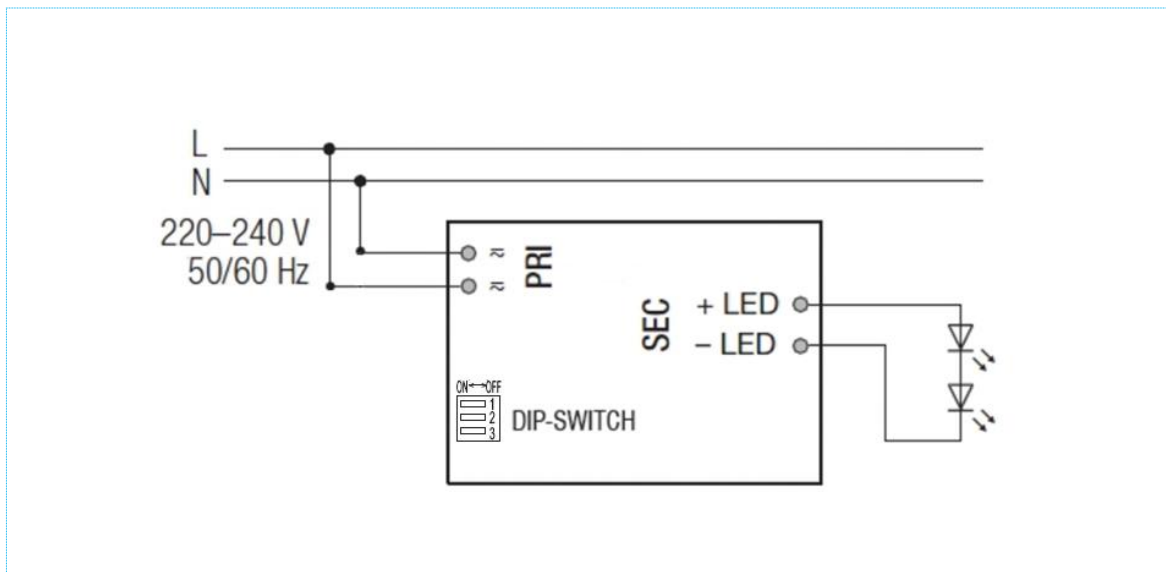


1320211748\*2



1270100674\*2

### ■ Wiring diagram

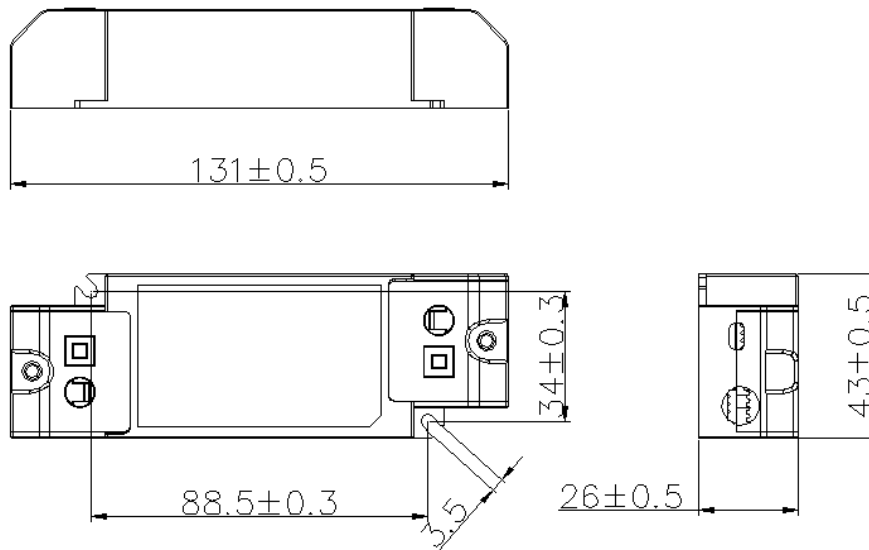


## 42W Constant current Dip Switch-FLS Series

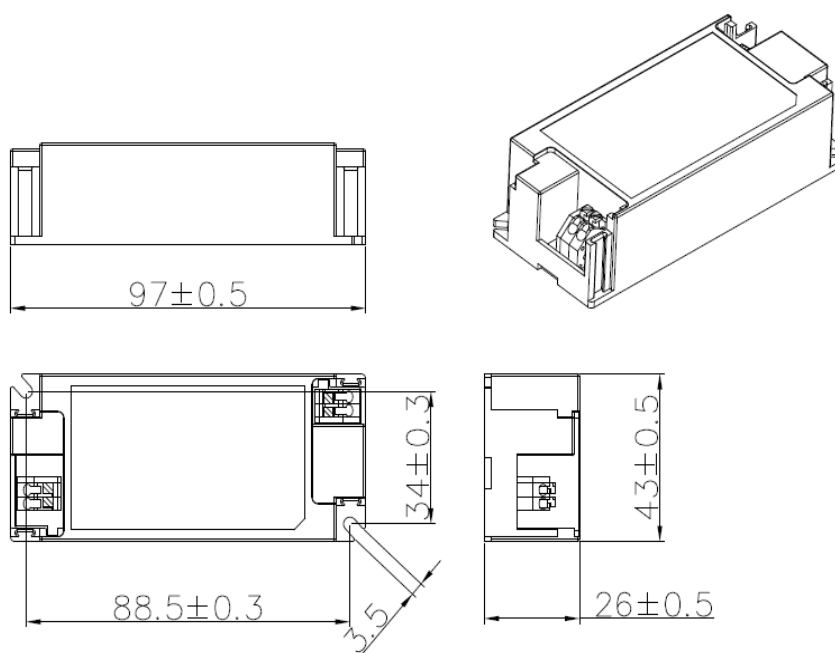
FLS-42-1050 LD

### ■2D diagram

With side caps



Without side caps

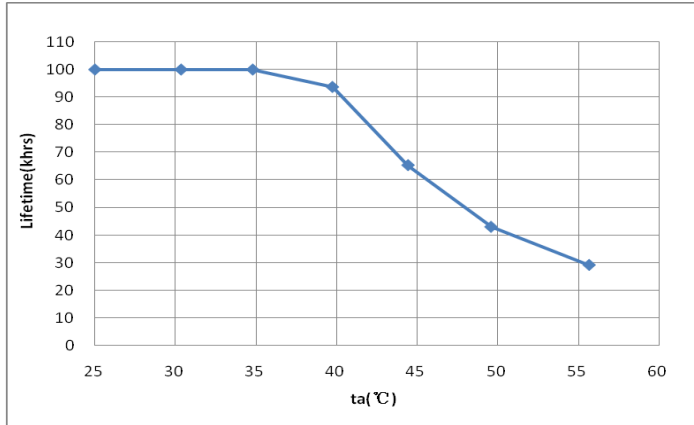


## 42W Constant current Dip Switch-FLS Series

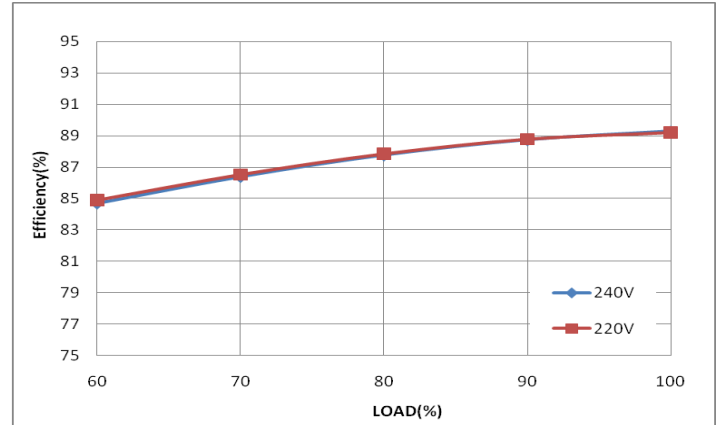
FLS-42-1050 LD

### ■ Curve for $I_o=1050\text{mA}$

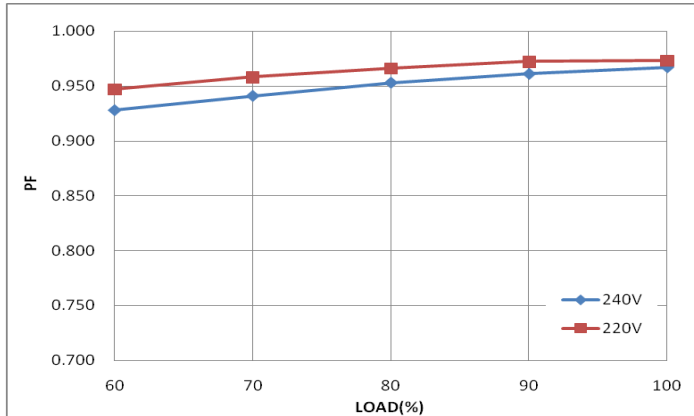
**Lifetime vs. Ambient Temperature Curve**



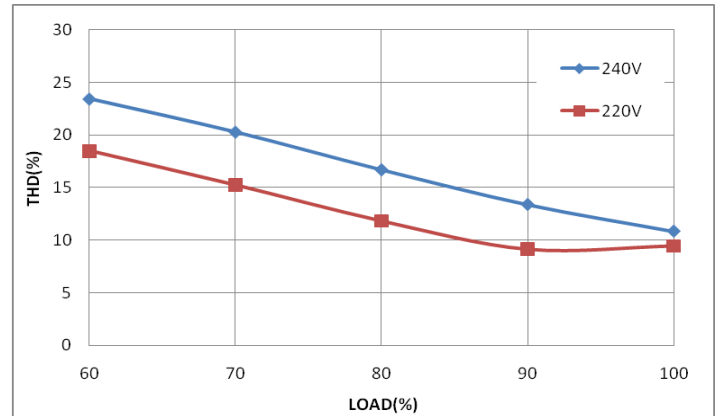
**Efficiency vs. Load**



**Power Factor Characteristics**



**THD vs. Load**



### ■ Operating window

