

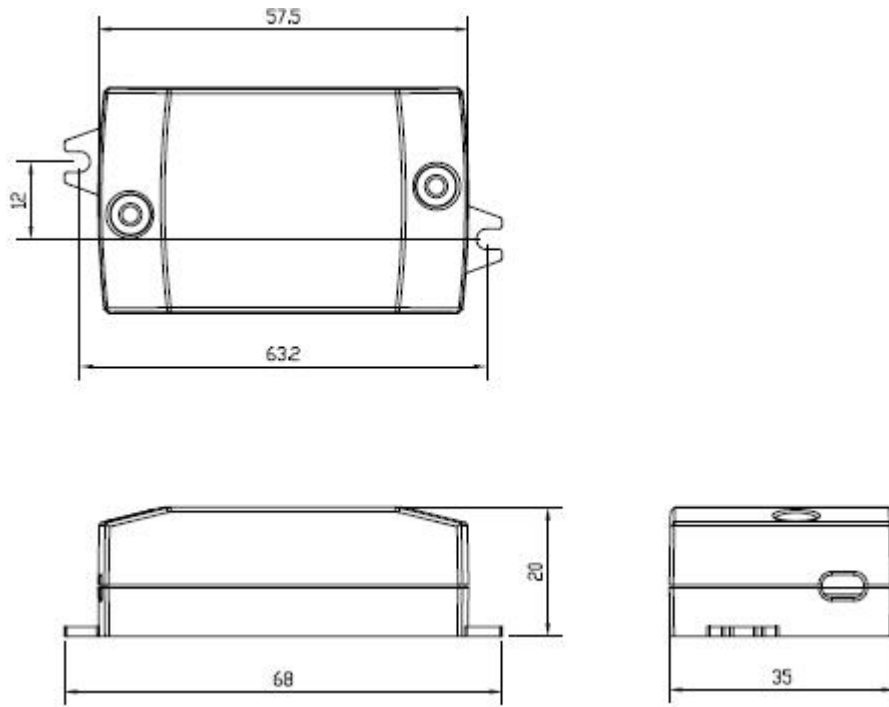
- ▲Input Voltage 100-240VAC
- ▲Protections: short circuit/over load/over voltage
- ▲IP20 Ingress protection
- ▲Power Factor ≥ 0.8
- ▲Efficiency $\geq 79\%$
- ▲Class II, SELV
- ▲3 years warranty



SPECIFICATION

Input	Rated input voltage	100-240VAC					
	Range of input voltage	90-264VAC					
	Frequency(Hz)	50/60 Hz					
	Power Factor	$\geq 0.8@100-240VAC$					
	Input Current max	0.13A MAX					
	Start-up time	<0.5S					
	Unload Power Consumption	$\leq 0.1W$					
	Inrush Current	10A MAX. @Full Load,240VAC					
	Leakage Current	<0.5mA(240VAC)					
Output	Constant Current Note.3	250mA	350mA	450mA	500mA	...	700mA
	Unload voltage Max.	29VDC	21VDC	16.5VDC	14.5VDC	...	12VDC
	Voltage Range(VDC)	8.4-24VDC	6.5-17.5VDC	4.5-13.5VDC	4.3-12VDC	...	3.6-10VDC
	Rated load	6W Max.	6.1W Max.	6.1W Max.	6W Max.	...	7W Max.
	Current Accuracy	$\pm 5\%$					
	Voltage Regulation	$\pm 3\%$ @Full Load					
	Load Regulation	$\leq 3\%$					
	Hold-up Time	1s max.@Full Load					
	Ripple& Noise Note.2	<50mAp-p	<70mAp-p	<90mAp-p	<100mAp-p	...	<140mAp-p
	Efficiency	$\geq 82\%$	$\geq 84\%$	$\geq 80\%$	$\geq 79\%$...	$\geq 79\%$
Protection	Over Load Protection	105-120%					
		Protection type: Auto Resume					
	Over Voltage Protection	>29VDC	>21VDC	>16.5VDC	>14.5VDC	...	>12VDC
		Protection type: Auto Resume					
	Short circuit Protection	Protection type: Auto Resume					
Environment	Operating Temperature	-10°C...+50°C					
	tc	85°C					
	Storage Temperature	-20°C...+60°C					
	Humidity	10%-90%RH					
	Life time	>30,000h @50°C					
Others	Dimension	68X35X20(LXWXH)mm					
Safety & EMC	Safety standards	EN 61347-1; EN61347-2-13					
	Withstand voltage	Input-Output: 3750V/5mA/1min					
	Isolation resistance	Input-Output: $\geq 4M\Omega@500VDC$					
	EMI	EN55015; EN61000-3-2 Class C; EN61000-3-3					
	EMS	EN 61547;EN 61000-4-2 — Performance Criteria B; EN 61000-4-5 —500V; Performance Criteria C					
Note	<p>1.All parameters NOT specially mentioned are measured at 240VAC input , rated load and 25°C of ambient temperature.</p> <p>2.Ripple & Noise are measured at 20MHz of bandwidth by using a 300mm twisted pair-wire terminated with a 0.1uF & 47 uF parallel capacitor.</p> <p>3.Output current can be from 250mA to 700mA and increasing in multiples of 50mA. Please see Model list below and contact EAGLERISE for details.</p>						

MECHANICAL SPECIFICATIONS



Model list:

EIP006CxxxxSH:

MODEL	INPUT	OUTPUT		
	V, A	Constant current mA	V dc	No load Max. V dc
EIP006C0250SH	100-240Vac, 50/60Hz, 0.13A max.	250	8.4 – 24.0	29.0
EIP006C0300SH		300	7.0 – 20.0	24.0
EIP006C0350SH		350	6.5 – 17.5	21.0
EIP006C0400SH		400	5.4 – 15.0	18.0
EIP006C0450SH		450	4.5 – 13.5	16.5
EIP006C0500SH		500	4.3 – 12.0	14.5
EIP006C0550SH		550	4.0 – 11.0	13.5
EIP006C0600SH		600	3.6 – 10.0	12.0
EIP006C0650SH		650	3.6 – 10.0	12.0
EIP006C0700SH		700	3.6 – 10.0	12.0

DESCRIPTIONS OF CHANGE

变更项目 ITEM	变更前 BEFORE	变更后 AFTER	版本 VERSION	变更日期 DATE