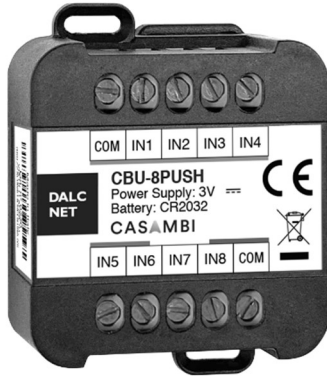


CASAMBI

FEATURES

- CASAMBI PUSH BUTTONS
- Command: CASAMBI APP
- Local Command: up to n°8 Push Buttons N.O. (Normally Open)
- Possible to set more fixture
- Control a single Luminaire
- Control all Luminaires
- Smooth Dimming
- Control and Recall a Scenes
- Recall Animations
- Change of color temperature
- Power Supply: CR 2032 Battery
- 100% Functional Test



➤ PRODUCT DESCRIPTION

CBU-8PUSH is a wireless user interface that can be configured by Casambi APP.

The device has up to 8 inputs for connect so many push buttons. Their operation depends on the type of Fixture set through the Casambi APP.

The push buttons can smooth dimming the luminaire pre-set, control a luminaire, control a group of luminaires or all luminaires in to the network, control a scene, control an animation all this can be set via the Casambi app.

TYPE OF FIXTURE:

4 IN: With this fixture it is possible to configure up to 4 N.O. push buttons. Each push button can control a luminaire, control a group of luminaires, control a scene or an animation. This configuration is possible to set by Casambi APP.

UP & DOWN: With this fixture it is possible to set 4 couples of N.O. push buttons, where each couple has got one button for dimming UP luminaire and one for dimming Down. In total there can be connected 8 N.O. push buttons.

X7: With this fixture it is possible to set up maximum 4 N.O. push buttons. Each push button can control a luminaire, control a group of luminaires, control a scene or an animation. This configuration is possible to set by Casambi APP.

By means of two push buttons configured for dimming it is possible to dimming UP or dimming Down the selected luminaire. This fixture enables another one push button used to switch off the luminaires.

XPRESS: With this fixture it is possible to setting up to 4 N.O. push buttons. Each push button can control a luminaire, control a group of luminaires, control a scene or an animation, SAME FUNCTIONS AS IN "4 in" Fixture. This configuration is possible to set by Casambi APP.

Other two push buttons are configured for dimming dimming UP or dimming Down the selected luminaire.

By means of another button it is possible to control the colour temperature if the luminaire is a Tuneable White.

Download the free Casambi APP on APP STORE or PLAY STORE.

Necessary conditions for a correct function are:

- Device with S.O. APPLE iOS 8.2 or later version
- Device with S.O. ANDROID 4.4 or later version
- Normally Open Push Buttons (N.O.)
- Casambi APP, download for free on APP Store or Play Store



➔ For the whole and updated **Device Manual** refer to producer's website: <http://www.dalcnet.com>

➔ For the correct functioning of **Casambi APP** refer to the Support CASAMBI website: <https://support.casambi.com/support/home>

➤ **PRODUCT CODE**

CODE	BATTERY	COMMANDS
CBU-8PUSH	CR2032 Lithium coin cell	CASAMBI APP – n°8 N.O. Push buttons

The factory default profile of the product is IN4

➤ **TYPES OF PROFILES**

PROFILES	COMMAND	LOCAL COMMAND
4 IN	APP CASAMBI	Up to n°4 buttons
UP & DOWN	APP CASAMBI	Up to n°8 buttons
X7	APP CASAMBI	Up to n°7 buttons
XPRESS	APP CASAMBI	Up to n°8 buttons

➤ **TECHNICAL SPECIFICATIONS**

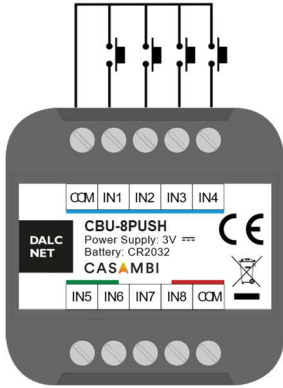
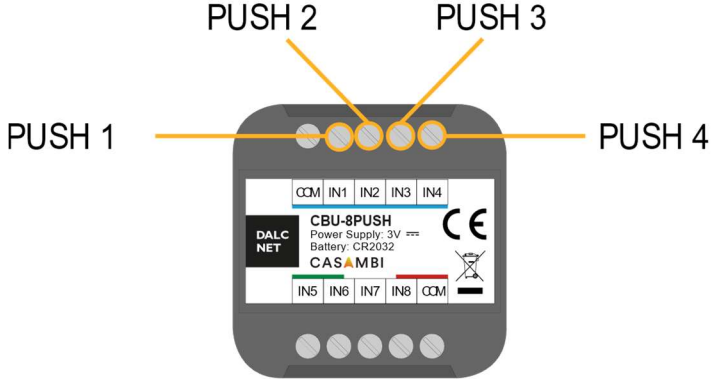
	CBU-8PUSH
Supply voltage	3V battery CR2032
Operating frequencies	2,400...2,483 GHz ¹
Maximum output power	4dBm ¹
Storage Temperature	min: -25 max: +60 °C
Ambient Temperature ²	min: -10 max: +40 °C
Wiring	1.5mm ² - 30/15 AWG
Wire preparation length	6 mm
Protection grade	IP20
Casing material	Plastic
Packaging unit (pieces/unit)	Single Carton Box 1 pz
Mechanical dimension	44 x 57 x 19 mm
Package dimension	56 x 68 x 35 mm
Weight	30g

¹ This value depend on the configuration of the Casambi module

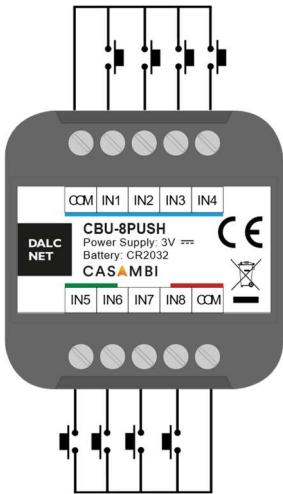
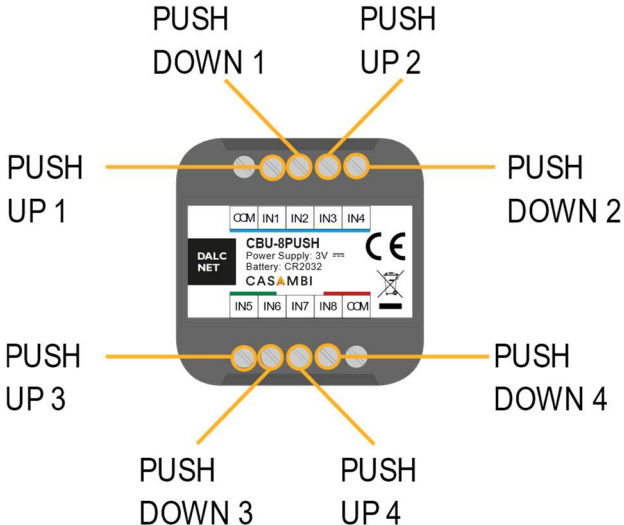
² Maximum value, depends on the ventilation conditions.

➤ INSTALLATION

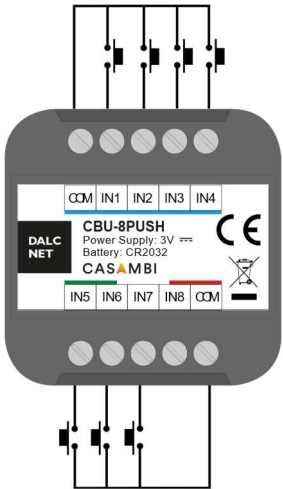
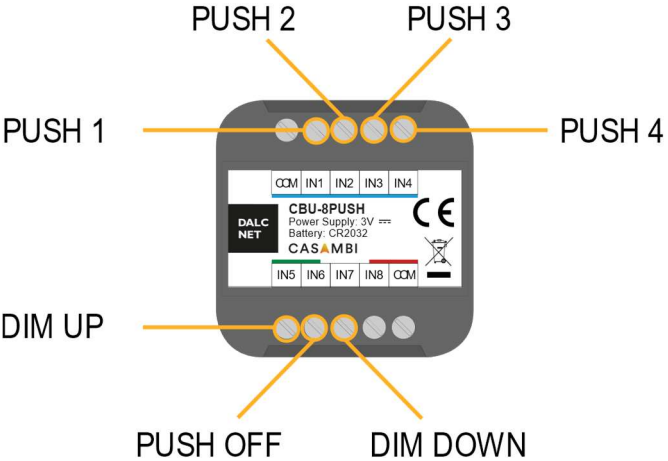
To be able to view the button in the CASAMBI application, two buttons must be pressed together (usually PUSH1 and PUSH2) for 4 seconds.

FIXTURE	INSTALLATION	PUSH BUTTONS SETTING
IN 4		

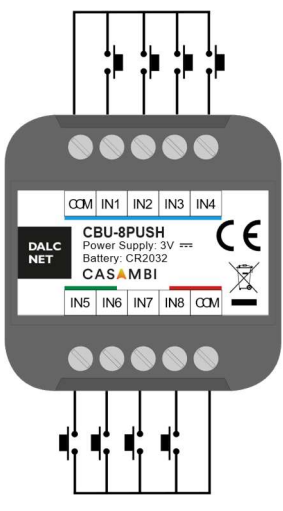
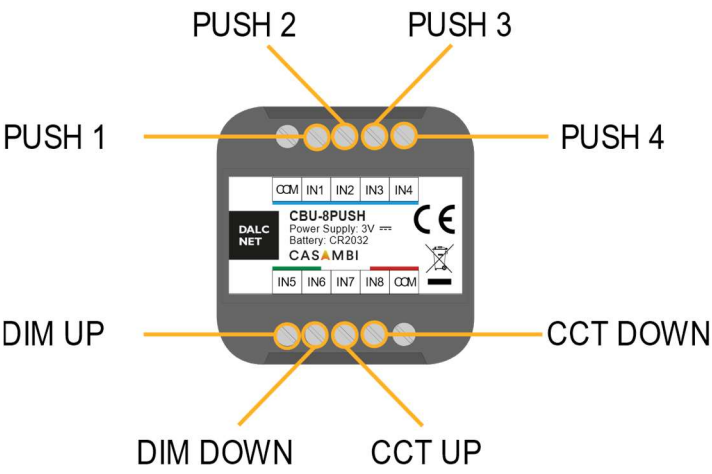
With this fixture it is possible to configure up to 4 N.O. push buttons. Each push button can control a luminaire, control a group of luminaires, control a scene or an animation. This configuration is possible to set by Casambi APP.

FIXTURE	INSTALLATION	PUSH BUTTONS SETTING
UP & DOWN		

With this fixture it is possible to set 4 couples of N.O. push buttons, where each couple has got one button for dimming UP luminaire and one for dimming Down. In total there can be connected 8 N.O. push buttons.

FIXTURE	INSTALLATION	PUSH BUTTONS SETTING
X7		

With this fixture it is possible to set up maximum 4 N.O. push buttons. Each push button can control a luminaire, control a group of luminaires, control a scene or an animation. This configuration is possible to set by Casambi APP.
By means of two push buttons configured for dimming it is possible to dimming UP or dimming Down the selected luminaire.
This fixture enables another one push button used to switch off the luminaires.

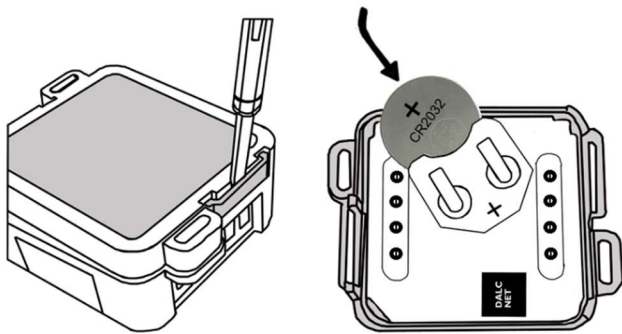
FIXTURE	INSTALLATION	PUSH BUTTONS SETTING
XPRESS		

With this fixture it is possible to setting up to 4 N.O. push buttons. Each push button can control a luminaire, control a group of luminaires, control a scene or an animation, SAME FUNCTIONS AS IN "4 in" Fixture. This configuration is possible to set by Casambi APP.
Other two push buttons are configured for dimming dimming UP or dimming Down the selected luminaire.
By means of another button it is possible to control the colour temperature if the luminaire is a Tuneable White.
Special feature: if you press PUSH 1 and PUSH 2 at the same time, all the lights on the network will turn off.

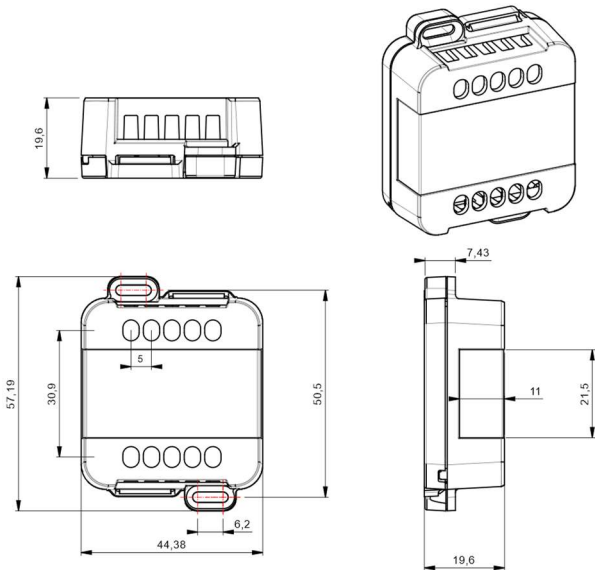
Note: For cable length see the paragraph "Technical Note".

For the N.O. Push button functions refer to the Support CASAMBI website: <https://support.casambi.com/support/home>

➤ BATTERY INSTALLATION:



MECHANICAL DIMENSION:



Note: The inserted battery of type CR 2032 can last from 2-5 years.

➤ TECHNICAL NOTE

Installation:

- Installation and maintenance must be performed only by qualified personnel in compliance with current regulations.
- The product must be installed inside an electrical panel protected against over voltages.
- The product must be installed in a vertical or horizontal position with the cover / label upwards or vertically; Other positions are not permitted. It is not permitted to bottom-up position (with the cover / label down).
- Keep separated the circuits at 230V (LV) and the circuits not SELV from circuits to low voltage (SELV) and from any connection with this product. It is absolutely forbidden to connect, for any reason whatsoever, directly or indirectly, the 230V mains voltage to the bus or to other parts of the circuit.

Power supply:

- For the power supply use only a battery specified in to manual, no other type of power supply is permitted.

Command:

- The length of the connection cables between the local commands (N.O. Push button or other) and the product must be less than 3m; the cables must be dimensioned correctly and they should be isolated from every wiring or parts at voltage not SELV. Use double insulated shielded and twisted cables.

WARNING: For optional functionality of the Bluetooth signal, do not put the device into metal or aluminium boxes and do not shield the device.

As any other Bluetooth product, should not be placed in a metal enclosure or next to large metal structures. Metal will effectively block all radio signal which are crucial to the operation of the product.