

PLCC Lightbar (PU) Waterproof FPC Series Datasheet



Features :

- High Brightness SMD LED
- Low Power Requirement & Energy Efficient
- Suitable for Restricted Space
- Waterproof Level IP67

Typical Applications :

- Auditorium Walkway Lighting
- Stairway Accent Lighting
- Cabinet Lighting

Table of Contents

General Information.....	3
Mechanical Dimensions.....	4
Absolute Maximum Ratings	5
Electric-Optical Characteristics ($T_j=25^{\circ}\text{C}$)	6
Product Packaging Information	7
Environmental Compliance	8
Application Notes.....	8
Revision History	9
About Edison Opto	9

General Information

Introduction

PLCC Lightbar FPC R is a strip of lighting module available in varying colors. Its flexible circuit board not only enables novel design thinking with bendable light source, but also offers a wide range of applications with dividable lighting segments.

Ordering Code Format

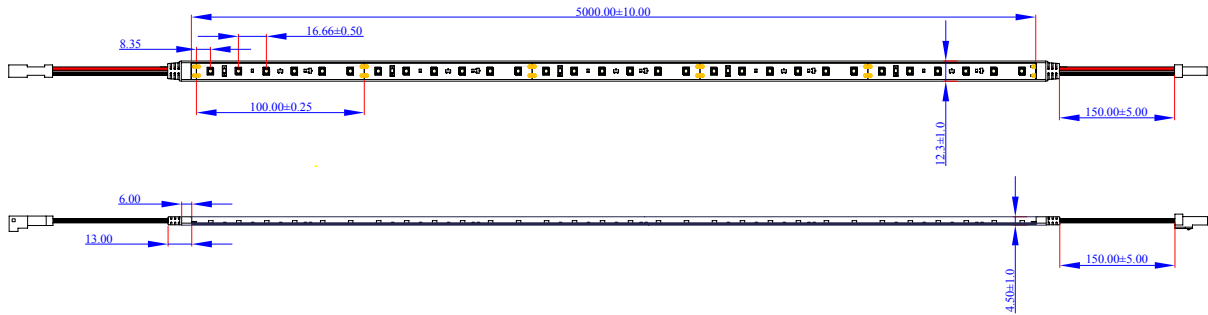
6
X1
LBU4
X2
xW
X3
J
X4
E0
X5
x
X6
060
X7
xx
X8

X1		X2		X3		X4		X5	
Item		Series		Emitting Color		Driver		Length	
6	Module	LBU4	FPC ip67	CW	Cool White	J	CV 24V	E0	5.0M
				NW	Neutral White				
				WW	Warm White				

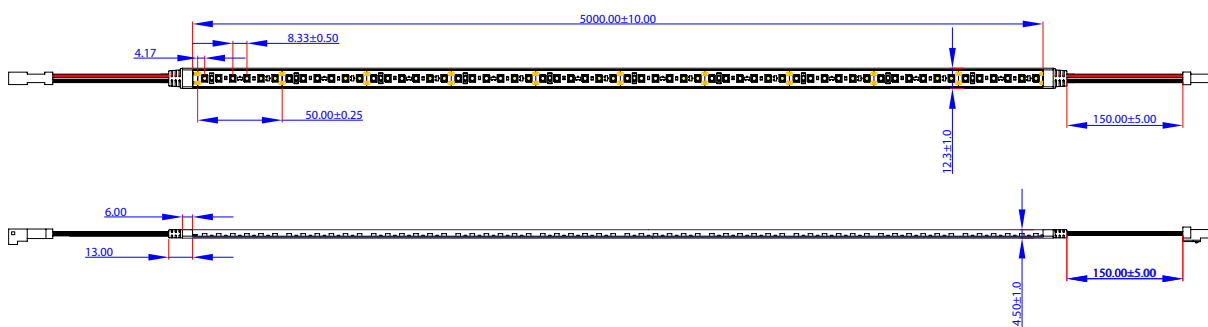
X6		X7		X8	
Emitter		Number of LEDs (M)		Serial No.	
J	3528	060	60pcs	xx	--
M	5050	120	120pcs		

Mechanical Dimensions

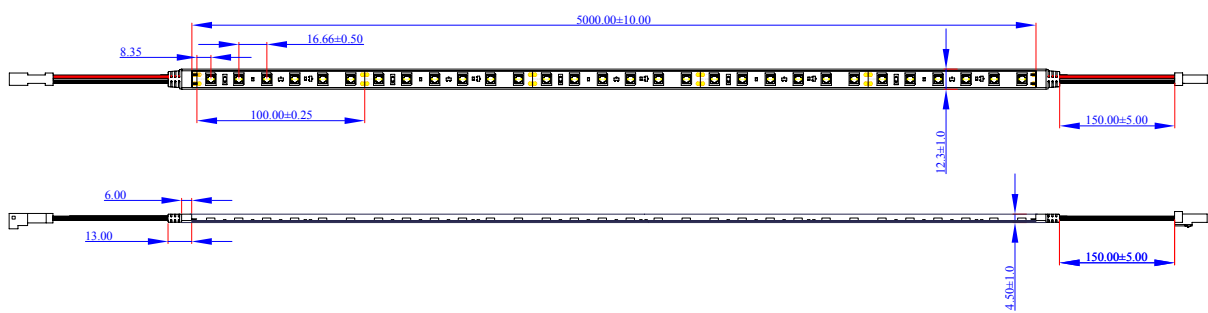
6LBU4xWJE0J060xx Dimensions (3528 60D/M)



6LBU4xWJE0J120xx Dimensions (3528 120D/M)



6LBU4xWJE0M060xx Dimensions (5050 60D/M)



Notes:

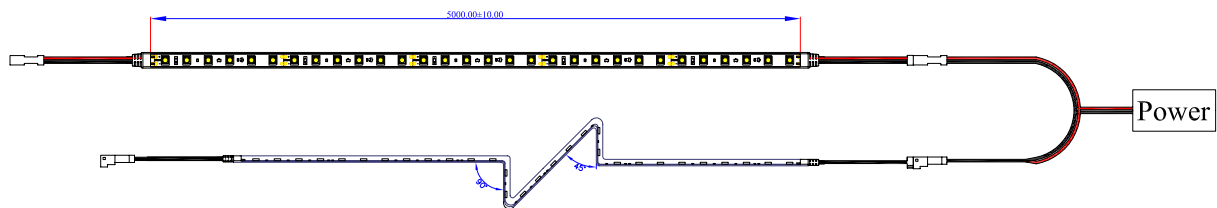
1. All dimensions are in millimeters.
2. Tolerance is ±0.20 mm

Absolute Maximum Ratings

Parameter	Symbol	Value	Units
LED junction Temperature	T_j	125	°C
Operating Environment Temperature	T_{opr}	-20 ~ +40	°C
Storage Temperature	T_s	-20 ~ +60	°C
Number of FPC Connection	-	5	M

Notes:

1. Proper current derating must be observed to maintain junction temperature below the maximum at all time.
2. LEDs are not designed to be driven in reverse bias.
3. Strongly recommended one power connection one set FPC, If over two set FPC recommended connection power between two FPC (Drawing).
4. If use under bending condition, bending position should avoid area of resistance, diode or triode and the bend angle couldn't be less than 45° for long time.



Electric-Optical Characteristics (T_j=25°C)

6LBU4xWJE0Jxxxxx Dimensions (3528 Series)

Order Code	Color	CCT (K)	Input Voltage (CV)	Typ. lm (M)	Number of LEDs (M)	Power (W/M)	Forward Current (mA/M)	CRI
6LBU4CWJE0J06001	Cool White	6000-9000	24	330	60	4.8	200	80
6LBU4NWJE0J06001	Neutral White	4000-4500	24	320	60	4.8	200	
6LBU4WWJE0J06001	Warm White	3000-3500	24	280	60	4.8	200	
6LBU4CWJE0J12001	Cool White	6000-9000	24	620	120	9.6	400	
6LBU4NWJE0J12001	Neutral White	4000-4500	24	600	120	9.6	400	
6LBU4WWJE0J12001	Warm White	3000-3500	24	540	120	9.6	400	

6LBU4xWJE0Mxxxxx Dimensions (5050 Series)

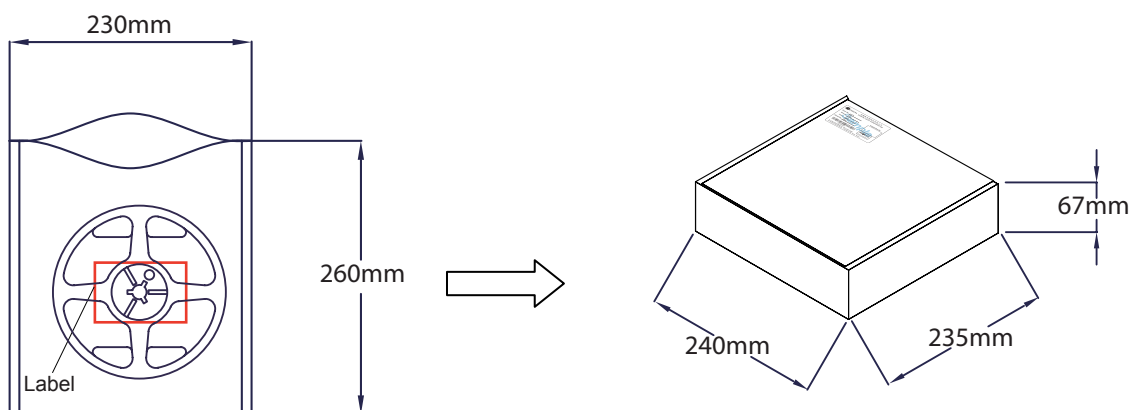
Order Code	Color	CCT (K)	Input Voltage (CV)	Typ. lm (M)	Number of LEDs (M)	Power (W/M)	Forward Current (mA/M)	CRI
6LBU4CWJE0M06001	Cool White	6000-9000	24	830	60	14.4	600	80
6LBU4NWJE0M06001	Neutral White	4000-4500	24	810	60	14.4	600	
6LBU4WWJE0M06001	Warm White	3000-3500	24	760	60	14.4	600	

Note:
 CCT and Forward Current are measured with an accuracy of ± 10%

Product Packaging Information

PLCC Lightbar FPC Material Description

Package Type	Part NO.	6LBR1PVNJ0000001	Dimension
Antistatic bag		1 Reel	260mm x 230mm
Inside box		4 Antistatic bags	240mm x 235mm x 67mm
Outside box		10 Inside boxes	488mm x 364mm x 261mm

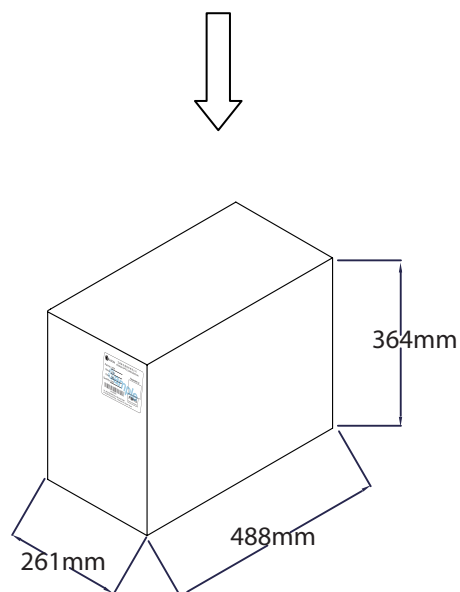


EX:

 艾笛森光電股份有限公司 EDISON OPTO CORPORATION	
Part No. : <u>6LBU4CWJE0M06001</u>	Inspected by: <div style="border: 1px solid black; width: 100px; height: 40px; margin: 5px;"></div>
Color : <u>Cool White(W3F)</u>	
Quantity : <u>1 Reel(5M)</u>	
Lot No. : <u>D1201-12110022</u>	
 A410000005 Tel +86-2-82276996 Fax +86-2-8227-6997 4F No.800 Chung-Cheng .. Chung-Ho City Taipei. Taiwan	
<div style="border: 1px solid black; padding: 5px; display: inline-block;"> ROHS <small>Directive Compliance</small> </div>	

Label information

Part NO. : Order code
 Color : Color(Emitter BIN color)
 Quantity : The number of packing
 Lot NO. : Date code



Environmental Compliance

PLCC lightbar FPC series are compliant to the Restriction of Hazardous Substances Directive or RoHS. The restricted materials including lead, mercury cadmium hexavalent chromium, polybrominated biphenyls (PBB) and polybrominated diphenyl ether (PBDE) are not used in PLCC lightbar FPC series to provide an environmentally friendly product to the customers.

Application Notes

PLCC Lightbar series are available in red, green, blue, white, neutral white and warm white for application such as under-cabinet lighting, cove lighting and wall washing. Moreover, additional fine-tuned high color rendering index (CRI) version of white, neutral white and warm white all make PLCC Lightbar the ideal lighting choice for vividly building or decoration products, presenting the products outline.

Revision History

Versions	Description	Release Date
1	Establish order code information	2015/05/04
2	Revise characteristic	2015/05/18
3	1. Modify Mechanical dimension 2. Revise Luminosu flux characteristic	2015/06/04

About Edison Opto

Edison Opto is a leading manufacturer of high power LED and a solution provider experienced in LDMS. LDMS is an integrated program derived from the four essential technologies in LED lighting applications- Thermal Management, Electrical Scheme, Mechanical Refinement, Optical Optimization, to provide customer with various LED components and modules. More Information about the company and our products can be found at www.edison-opto.com

Copyright©2015 Edison Opto. All rights reserved. No part of publication may be reproduced or transmitted in any form or by any means, electronic or mechanical, including photo copy, recording or any other information storage and retrieval system, without prior permission in writing from the publisher. The information in this publication are subject to change without notice.

www.edison-opto.com

For general assistance please contact:
service@edison-opto.com.tw

For technical assistance please contact:
LED.Detective@edison-opto.com.tw