

42W Constant Current Blue -FLS Series

FLS-42-1050 Blue LA-CSB



■ Approve

SELV CE CASAMBI

■ Features

- Class II, SELV, built-in
- Input Voltage 220-240VAC
- Protections: SCP/OLP/OVP
- Power Factor >0.95
- Efficiency ≥86%
- 5 years warranty

■ Applications(Typ.)

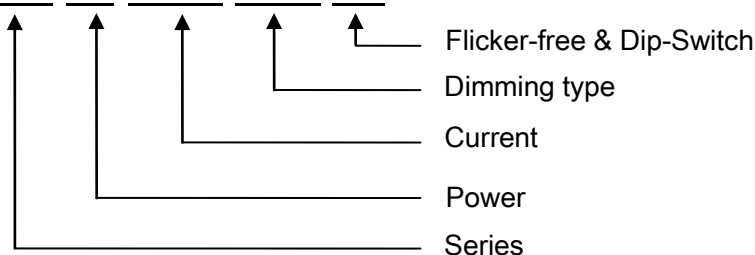
- LED strips
- Ceiling light
- Down light

■ Description

FLS-42-1050 Blue LA-CSB is a 42W constant current LED driver with 700 to 1050mA output current and a forward voltage range from 9 to 52Vdc. The output current is selectable by DIP Switch. With it's dimensions from 97 x 43 x 30mm it is easy to integrate in Ceiling light and down light products. To ensure trouble-free operation, protection is provided against output short circuit and over Load.

■ Model code

FLS-42-1050 Blue LA-CSB



42W Constant Current Blue -FLS Series

FLS-42-1050 Blue LA-CSB

■ Specification

| | | |
|--------------|---|---|
| Input | Rated input voltage | 220-240VAC |
| | Range of input voltage | 176-264VAC |
| | DC Rated input voltage | 196-254VDC |
| | DC voltage range*Note.3 | 176-280VDC |
| | Frequency(Hz) | 0/50/60 Hz |
| | Power Factor | > 0.95@220-240VAC, full load |
| | Input Current max | 0.34A MAX. @Full Load,176VAC |
| | Start-up time | < 0.5S |
| | Stand-by power | ≤0.5W |
| | Inrush Current | 30A Max. /100μs@230V, Full Load , 50%Ipk-50%Ipk |
| | THD | <10% @ Full Load |
| | Leakage Current | < 0.7mA(240VAC) |
| Output | Constant Current | 700.../1050mA |
| | Unload voltage Max. | 60 VDC |
| | Voltage Range(VDC) | 9-52VDC |
| | Rated power | 42W Max. |
| | Current Accuracy | ±5%@220-240VAC |
| | Voltage Regulation | ±5% @220-240VAC, full load |
| | Load Regulation | ±5%@220-240VAC |
| | Hold-up Time | 1s max.@Full Load |
| | Ripple& Noise *Note.2 | ±3%@Full Load,240VAC |
| | Output LF current ripple(<120Hz) | ±3%@Full Load,240VAC |
| | Efficiency(Typ.) | ≥86% |
| Dimming | Dimming mode | Bluetooth |
| | Recommended Dimming controller | Casambi APP |
| | Dimming current range | 7mA~100% , ON/OFF, Push |
| Protection | Over Load Protection | 103-120% Protection type: Auto Resume |
| | Over Voltage Protection | > 60VDC Protection type: Auto Resume |
| | Short circuit Protection | Protection type: Auto Resume |
| | Over Temperature protection | Protection type: Auto Resume |
| Environment | Operating Temperature | -25°C...+45°C |
| | tc | 85°C |
| | Storage Temperature | -25°C...+60°C |
| | Life time | > 44,000h@45°C |
| | Humidity | 20%-95%RH |
| Others | Dimension(LXWXH) | 97X43X30mm |
| Safety & EMC | Safety standards | EN 61347-1; EN61347-2-13; EN62384 |
| | Withstand voltage | Input-Output : 3750V/5mA/1min |
| | Isolation resistance | Input-Output : ≥4MΩ@500VDC |
| | EMI | EN55015; EN61000-3-2 Class C; EN61000-3-3 |
| | EMS | EN 61547; EN 61000-4-2; EN 61000-4-5 —1000V; |
| Note | 1.All parameters NOT specially mentioned are measured at 240VAC input , full load and 25°C of ambient temperature. 2.Ripple & Noise are measured at 20MHz of bandwidth by using a 300mm twisted pair-wire terminated with a 0.1μF & 47 μF parallel capacitor. 3.The DC input for this product is only used for emergency lighting and applies to functional and safety requirements, EMC is not considered. | |

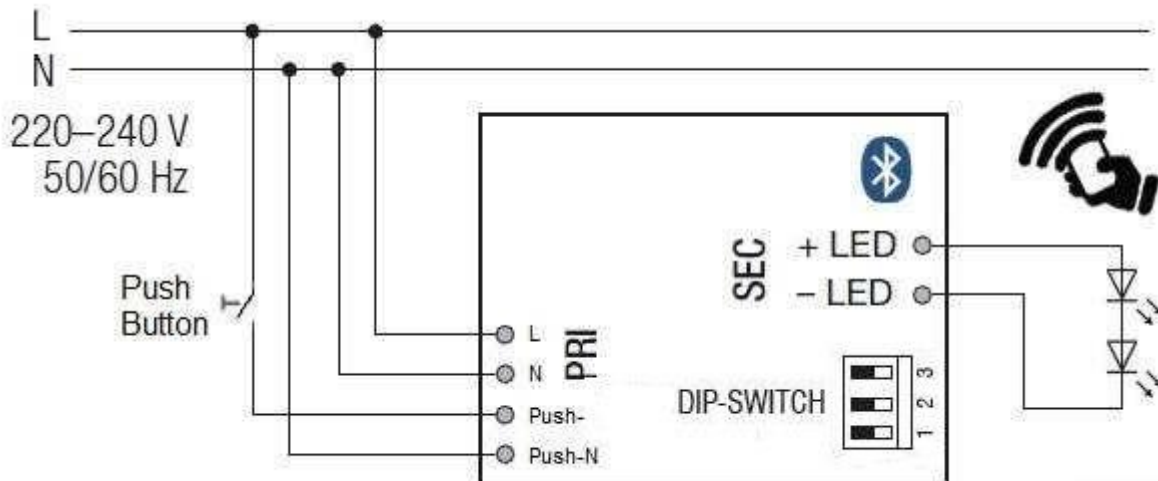
42W Constant Current Blue -FLS Series

FLS-42-1050 Blue LA-CSB

■ Adjustable Output Current with dip-switch

| Vo | Po | Io | 1 | 2 | 3 |
|---------|-------|--------|----|----|----|
| 9-52VDC | 36.4W | 700mA | -- | -- | -- |
| 9-52VDC | 39W | 750mA | ON | -- | -- |
| 9-52VDC | 41.6W | 800mA | -- | ON | -- |
| 9-49VDC | 41.7W | 850mA | ON | ON | -- |
| 9-47VDC | 42.3W | 900mA | -- | -- | ON |
| 9-44VDC | 41.8W | 950mA | ON | -- | ON |
| 9-42VDC | 42W | 1000mA | -- | ON | ON |
| 9-40VDC | 42W | 1050mA | ON | ON | ON |

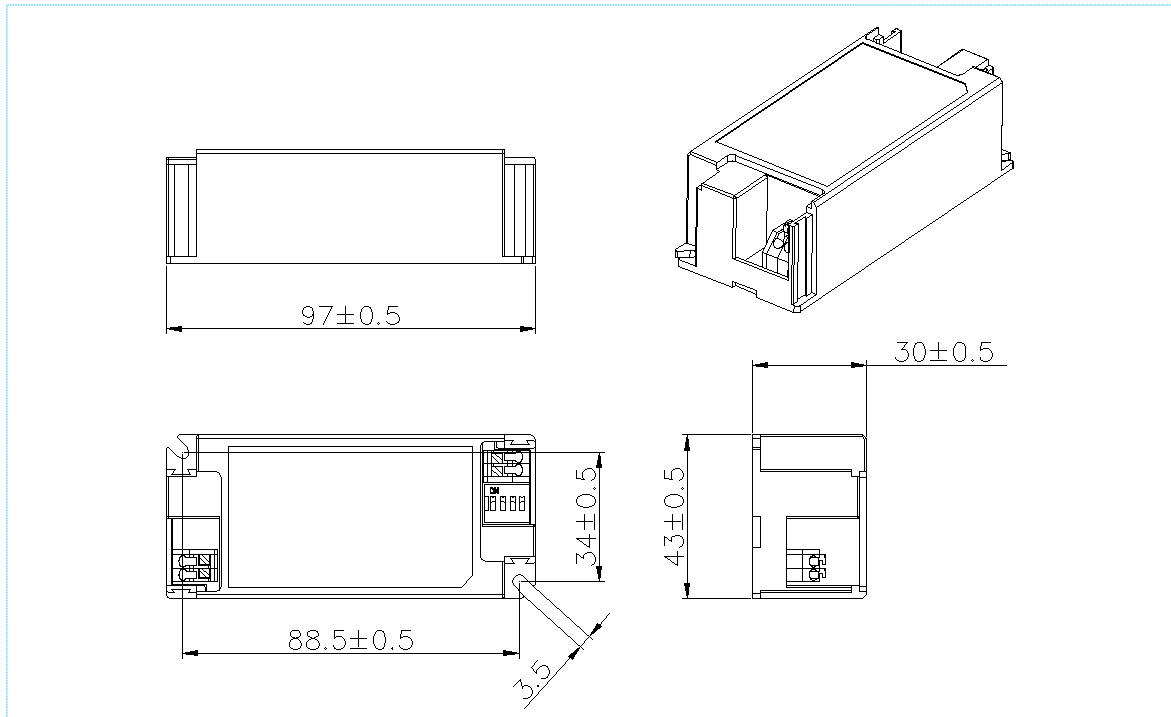
■ Wiring diagram



42W Constant Current Blue -FLS Series

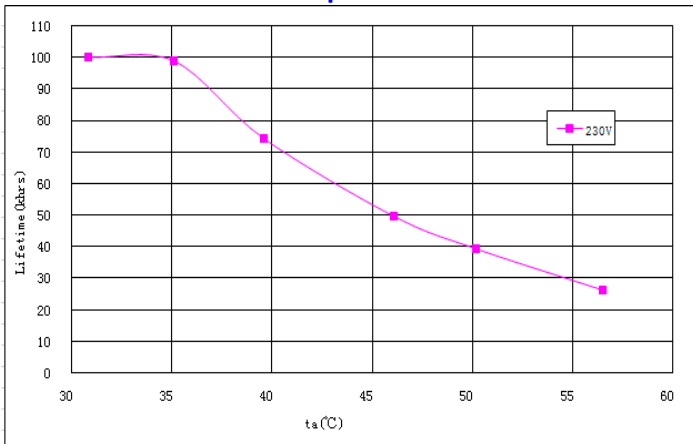
FLS-42-1050 Blue LA-CSB

■2D diagram

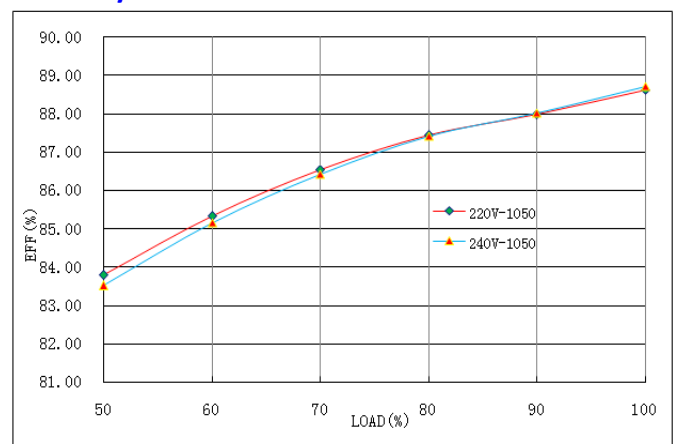


■Curve for FLS-42-1050 Blue LA-CSB , $I_o=1050mA$

Lifetime vs. Ambient Temperature Curve



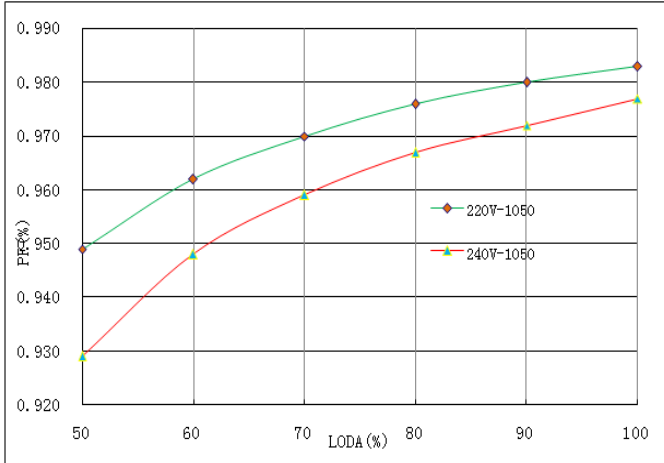
Efficiency vs. Load



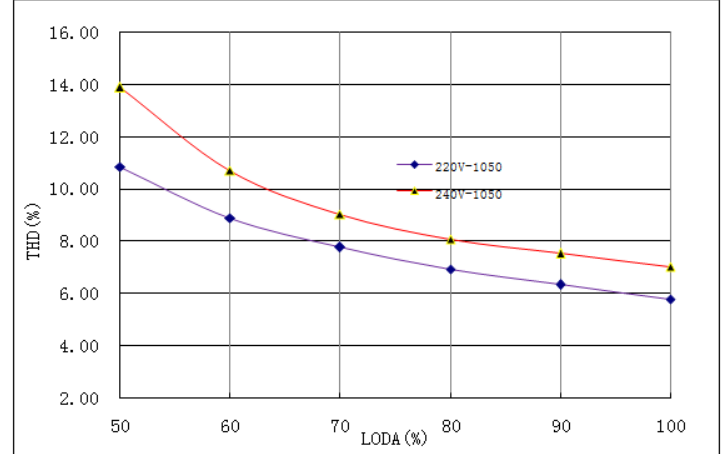
42W Constant Current Blue -FLS Series

FLS-42-1050 Blue LA-CSB

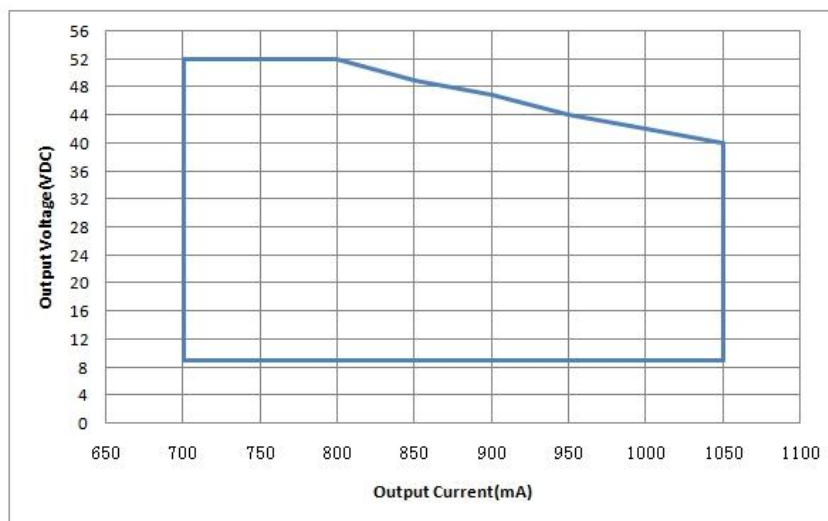
Power Factor Characteristics



THD vs. Load



■ Operating window



— Operating window 100%