

5W Constant Current – IP65

LS-5-XXX IP65 SB



■ Approve
SELV CE

■ Features

- Class II, SELV, Built-in
- Input Voltage 220-240VAC
- Protections: SCP/OLP/OVP
- Power Factor >0.5
- Efficiency ≥72%
- IP65 Ingress protection
- 5 years warranty

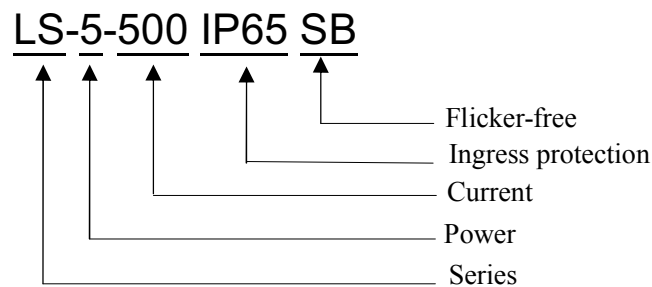
■ Applications(Typ.)

- Outdoor-Wall light
- Lawn light

■ Description

LS-5-XXX IP65 SB is a 5W constant current LED driver that operates from 176-264Vac input with 300mA-700mA output current. With it's compact dimensions from 58.1 x 28.5 x 21mm it is easy to integrate in Outdoor-Wall light lights and Lawn lights. To ensure trouble-free operation, protection is provided against output short circuit and over Load

■ Model code



5W Constant Current – IP65

LS-5-XXX IP65 SB

■ Specification

Input	Rated input voltage	220-240VAC			
	Range of input voltage	176-264VAC			
	Frequency(Hz)	50/60 Hz			
	Power Factor	> 0.5@220-240VAC , Full Load			
	Input Current max	0.08A MAX. @Full Load,176VAC			
	Start-up time	< 0.5S			
	Unload Power Consumption	≤0.5W			
	Inrush Current	20A Max.			
	Leakage Current	< 0.7mA(240VAC)			
Output	Constant Current	300mA	350mA	500mA	700mA
	Unload voltage Max.	20VDC	20VDC	20VDC	16VDC
	Voltage Range(VDC)	2.8-12VDC	2.8-12VDC	2.5-10VDC	2.5-7.5VDC
	Rated power	3.6W Max.	4.2W Max.	5W Max.	5.3W Max.
	Current Accuracy	±5% @220-240VAC			
	Voltage Regulation	±5% @220-240VAC , Full Load			
	Load Regulation	±5% @220-240VAC			
	Hold-up Time	1s max.@Full Load			
	Ripple & Noise *Note.2	≤±5%			
	Output LF current ripple(<120Hz)	≤±5%			
	Efficiency(Typ.)	≥72%			
Protection	Over Load Protection	103-150%			
		Protection type: Auto Resume			
	Over Voltage Protection	> 20VDC	> 20VDC	> 20VDC	> 16VDC
	Protection type: Auto Resume				
	Short circuit Protection	Protection type: Auto Resume			
Environment	Operating Temperature	-20°C...+50°C			
	tc	80°C			
	Storage Temperature	-25°C...+60°C			
	Life time	> 30,000h@ta=50°C			
	Humidity	20%-90%RH			
Others	Dimension	58.1X28.5X21(LXWXH)mm			
Safety & EMC	Safety standards	EN 61347-1; EN 61347-2-13; EN62384			
	Withstand voltage	Input-Output : 3750V/5mA/1min			
	Isolation resistance	Input-Output : ≥4MΩ@500VDC			
	EMI	EN55015; EN61000-3-2 Class A; EN61000-3-3			
	EMS	EN 61547; EN 61000-4-2; EN 61000-4-5 —500V;			
Note	1. All parameters NOT specially mentioned are measured at 240VAC input , full load and 25°C of ambient temperature. 2. Ripple & Noise are measured at 20MHz of bandwidth by using a 300mm twisted pair-wire terminated with a 0.1uF & 47 uF parallel capacitor. 3. Output current can be 300/350/500/700mA. Please see Model list below and contact EAGLERISE for details.				

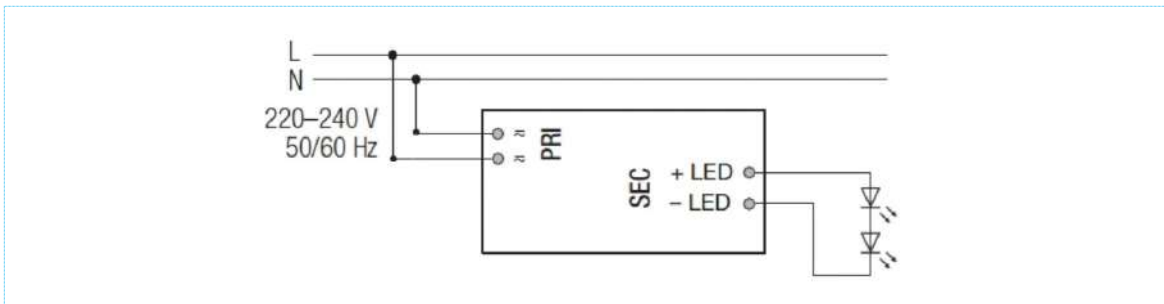
5W Constant Current – IP65

LS-5-XXX IP65 SB

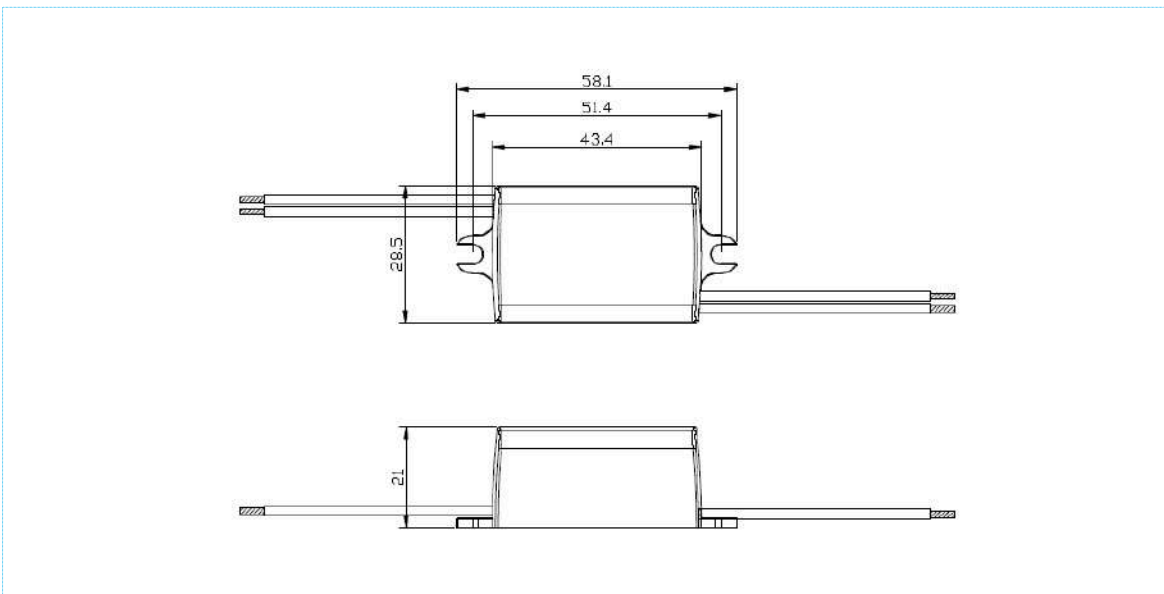
Model list

No.	Model number	Input			Output			
		Voltage (VAC)	Max. Current (A)	Frequency (Hz)	Constant current (mA)	Normal working voltage (VDC)	No load working voltage (VDC)	Max. Power(W)
1	LS-5-300 IP65 SB	220-240	0.08	50/60	300	2.8-12	20	3.6
2	LS-5-350 IP65 SB	220-240	0.08	50/60	350	2.8-12	20	4.2
3	LS-5-500 IP65 SB	220-240	0.08	50/60	500	2.5-10	20	5
4	LS-5-700 IP65 SB	220-240	0.08	50/60	700	2.5-7.5	16	5.3

Wiring diagram



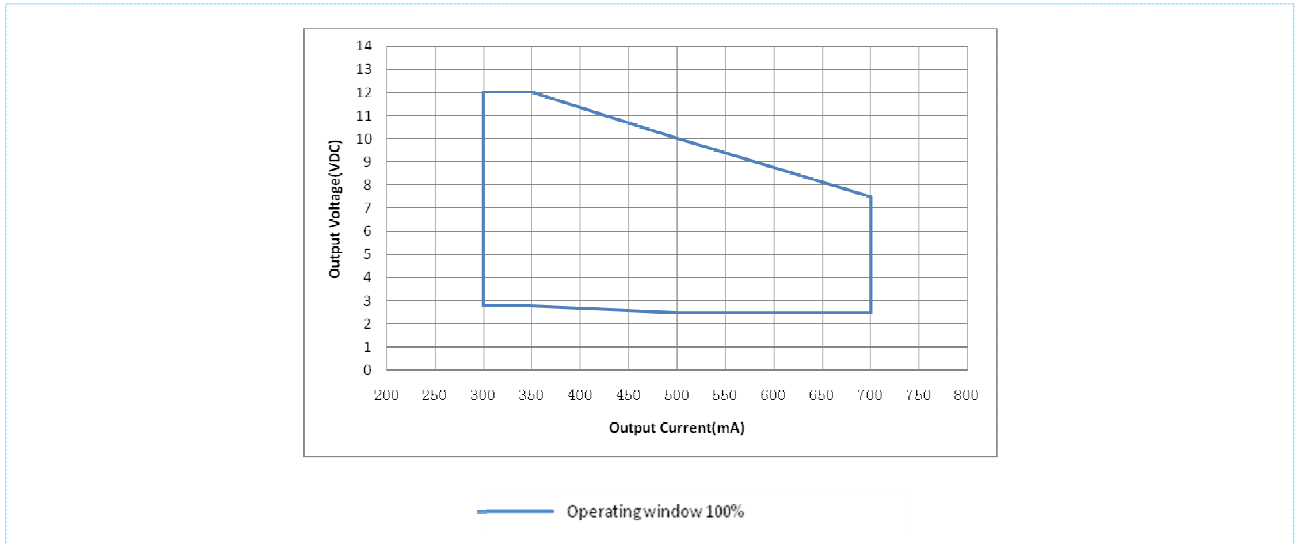
2D diagram



5W Constant Current – IP65

LS-5-XXX IP65 SB

■ Operating window



Tel: (86 757) 8252 3552, 8625 6816
Fax: (86 757) 8626 9260, 8625 6780
E-mail: sales@eaglerise.com
Homepage: www.eaglerise.com / www.eaglerise.cn



5W Constant Current – IP65

LS-5-XXX IP65 SB