

## 150W DALI+PUSH Dimming power supply



■ Approve



### Features

- Class II, SELV, independent
- Input Voltage 220-240VAC
- Protections: SCP/OLP/OTP
- Power Factor > 0.95
- Efficiency ≥91%
- 5 years warranty
- Support DALI-2, Push Dimming

### Applications

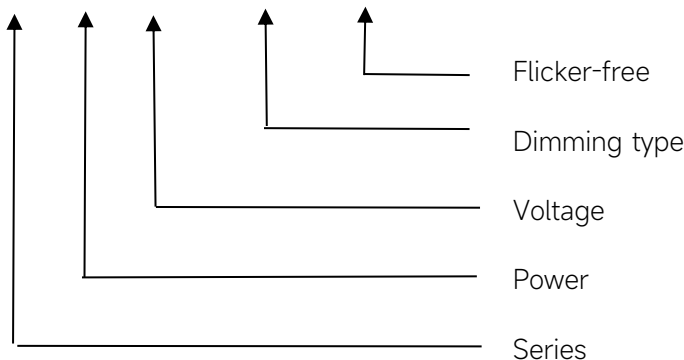
- LED strips

### ◆ Description

LS-150-24 DALI-2 LI is a 150W constant voltage LED driver that operates from 198-264Vac input with 24V output voltage. With its compact dimensions from 290 x 45 x 30.5mm it is easy to integrate in LED strips products. To ensure trouble-free operation, protection is provided against output short circuit and over Load.

### ◆ Model code

#### LS-150-24 DALI-2 LI



## ◆ Specification

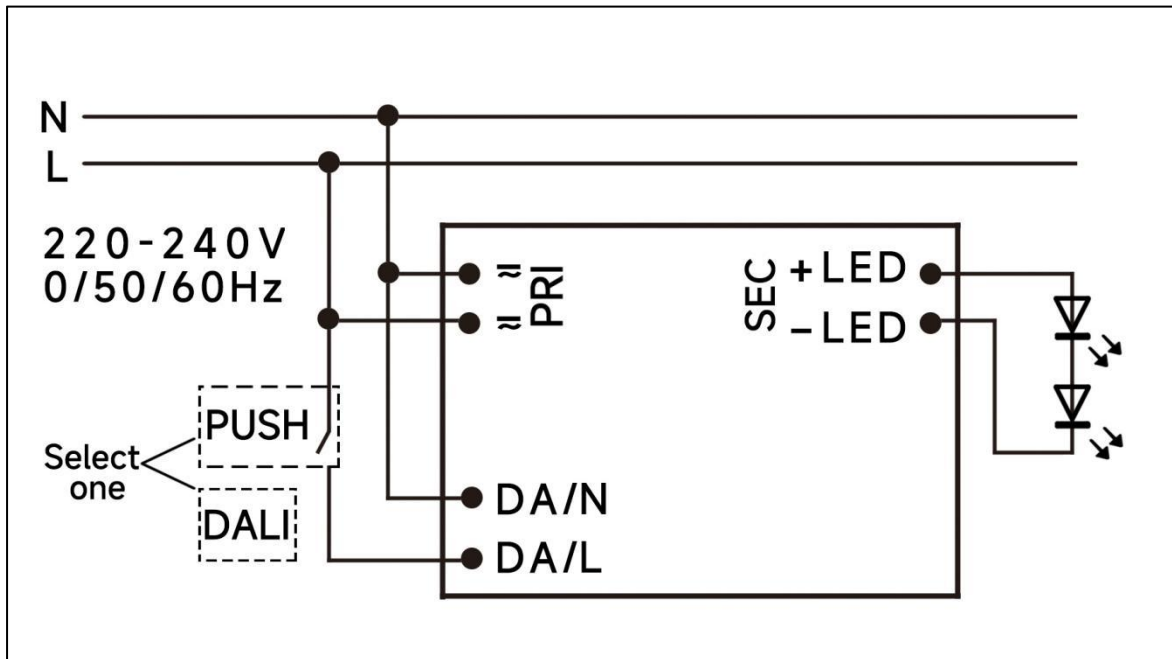
Output	Constant Voltage	24VDC
	Current Range	6.25A MAX
	Voltage Accuracy	±3.5%
	Output HF current ripple(≥1KHz)	±1%
	Output LF current ripple(≤120Hz)	±1%
	SVM	≤0.4@Full Load
	P <sub>st</sub>	≤1@Full Load
	Efficiency(Typ.)	≥91%
Input	Rated input voltage	220-240VAC
	Range of input voltage	198-264VAC
	Rated input voltage(DC)	198-280VDC
	Frequency(Hz)	0/50/60 Hz
	Displacement factor	≥0.9
	Power Factor	0.95
	Input Current max	1A MAX. @Full Load,198VAC
	Start-up time	<1 S
	No Load Power	≤0.5W
	Standby Power	≤0.5W
	Network standby power	≤0.5W
	THD (Typ.)	<10% @220-240VAC, Full load
Dimming	Dimming	YES
	Dimming mode	DALI-2 IEC 62386-101,102,207 & Push
	Dimming depth	1%
	Dimming current range	1-100%
Protection	Over Load Protection	105-150% rated output power YES/Auto Resume
	Short circuit Protection	YES/Auto Resume
	Over Temperature Protection	YES/Auto Resume
Environment	Operating Temperature	-20°C...+45°C
	Humidity	20%-90%RH
	T <sub>c</sub>	85°C
	Storage Temperature	-20°C...+60°C
	Life time	≥50000h@T <sub>c</sub> =85°C, full load
Surface	Dimension	290 x 45 x 30.5mm(LXWXH)mm

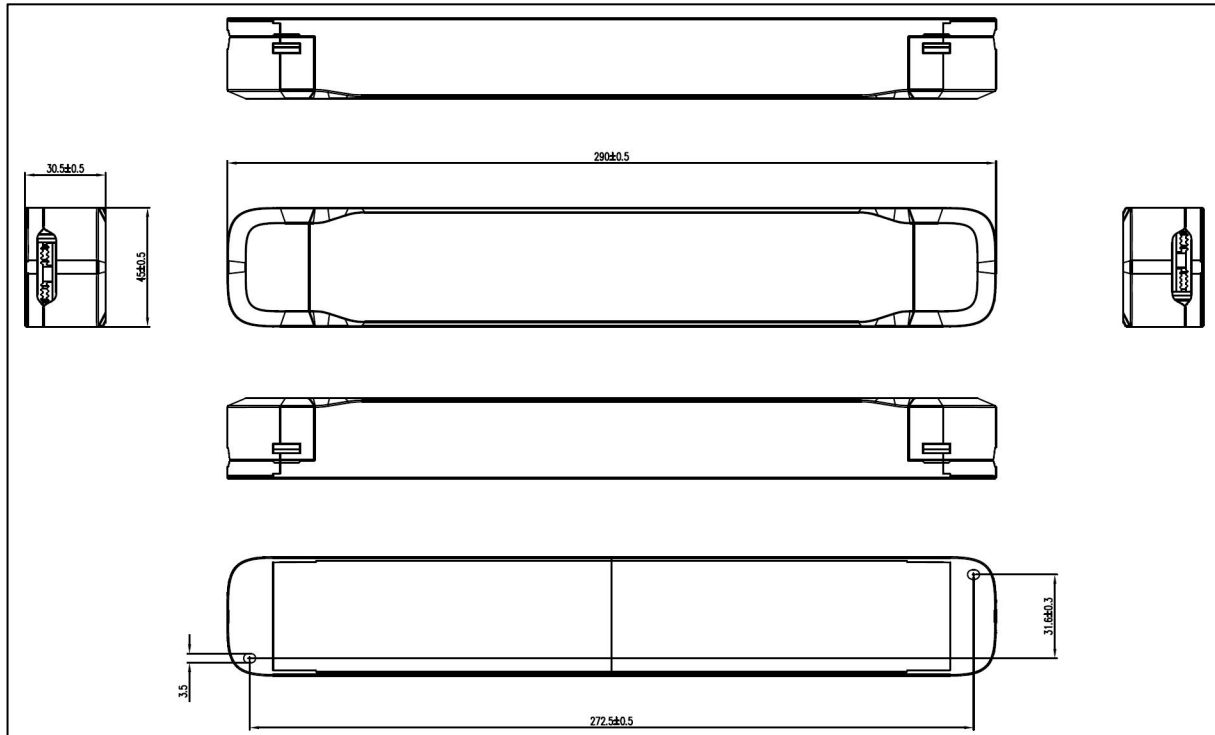
standards	EN 61347-1; EN61347-2-13; EN62384	
Others	ErP	EU 2019/2020
	RoHS	RoHS (2011/65/EU) (EU)2015/863
Note	<p>1.All parameters NOT specially mentioned are measured at 230VAC input , full load and 25°C of ambient temperature.</p> <p>2.Ripple &amp; Noise are measured at 20MHz of bandwidth by using a 300mm twisted pair-wire terminated with a 0.1uF &amp; 47 uF parallel capacitor.</p> <p>3.The DC input for this product is only used for emergency lighting and applies to functional and safety requirements, EMC is not considered.</p>	

## ◆ Circuit Breaker

I <sup>peak</sup>	T <sub>width</sub>	B10	B16	B20	C10	C16	C20
47A	<b>428μs</b>	3pcs	6pcs	7pcs	6pcs	10pcs	12pcs

◆ Wiring diagram



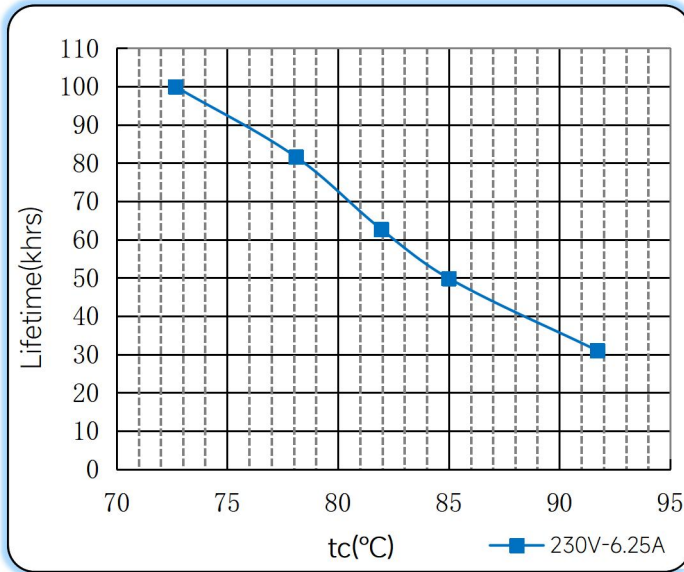
**◆ 2D diagram**


## Wiring & Connections

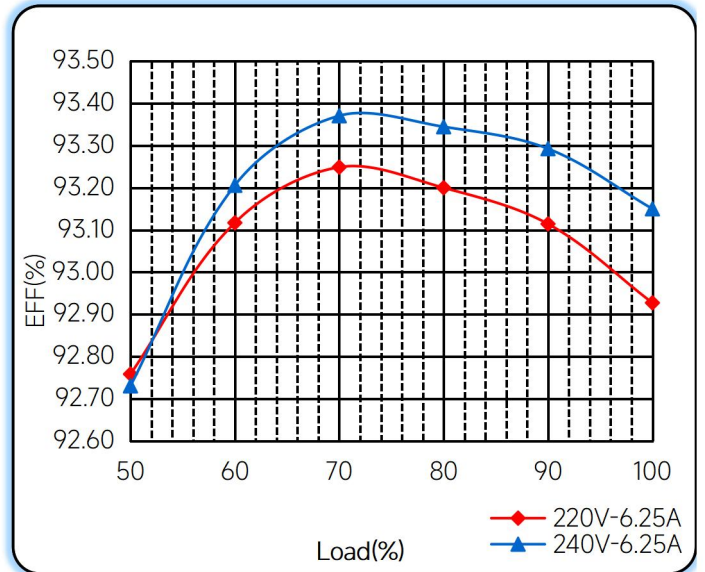
Specification item		Value (Unit )
Input	Input wire cross-section	0.5...1.5 mm <sup>2</sup>
	Input wire gauge.	16...20 AWG
	Input wire strip length	7...9mm
Output	Output wire cross-section	0.5...1.5 mm <sup>2</sup>
	Output wire gauge.	16...20 AWG
	Output wire strip length	7...9mm

## ◆ Curve for LS-150-24 DALI-2 LI

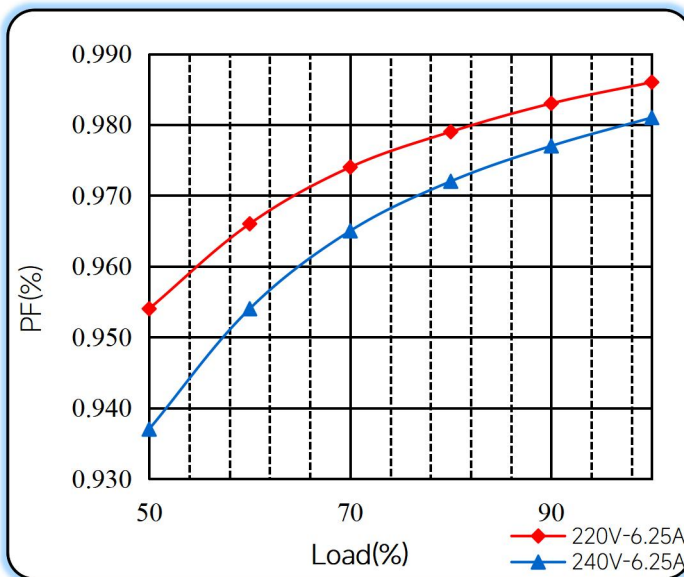
### Lifetime vs. Temperature Curve



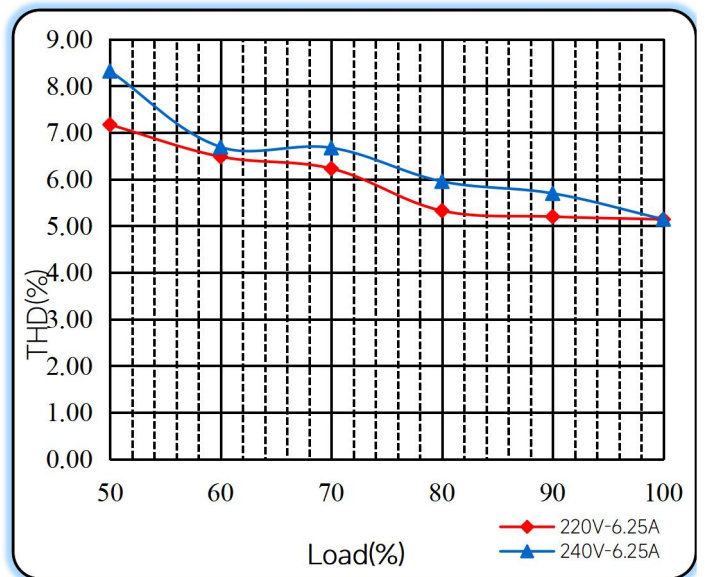
### Efficiency vs. Load



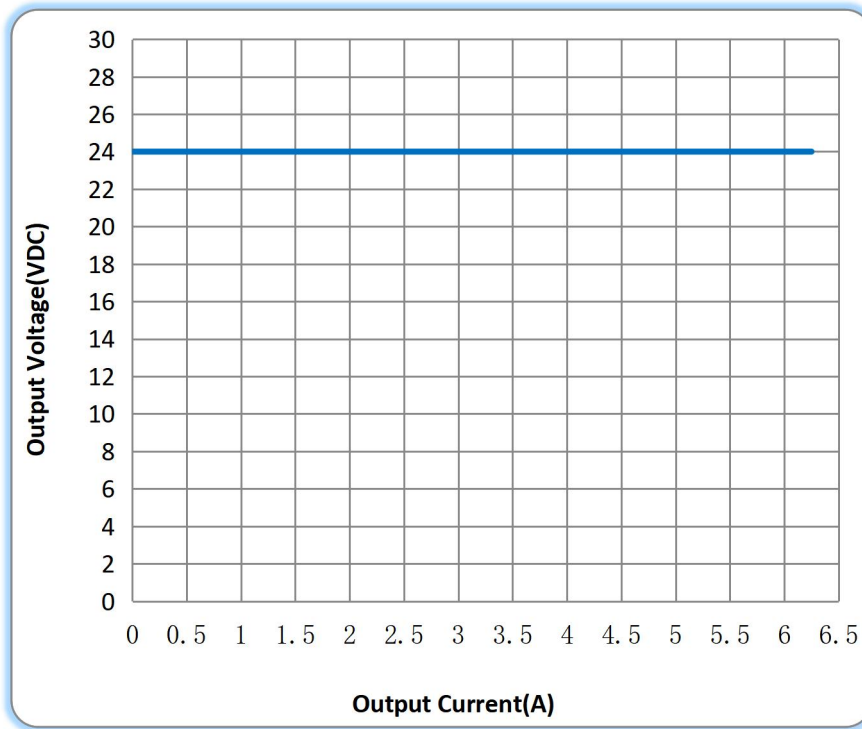
### Power Factor Characteristics



### THD vs. Load



◆ **Operating window**



◆ **Revision Updates**

ITEM	BEFORE	AFTER	VERSION	DATE
Initial			A	2022/02/15
Efficiency	≥89%	≥91%	B	2022/11/09
Protection	OVP	OTP	B	2022/11/09

Tel: +86-0757-86256822, +86-0757-86256831

E-mail: sales@eaglerise.com

Website : <https://lighting.eaglerise.com>



EAGLERISE



Manual