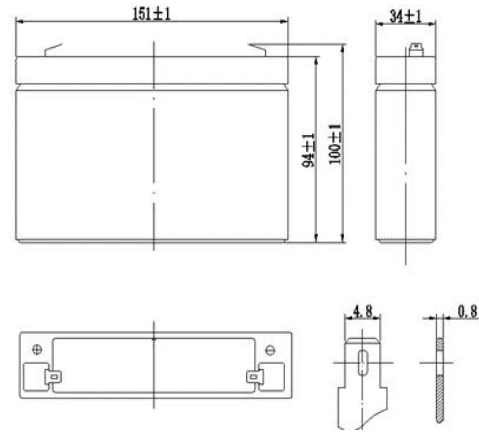


The battery is designed with AGM technology, high performance plates and electrolyte to gain extra power output for common power backup system applications widely used in the field of UPS, Emergency Lighting System and other backup applications.

General Feature

- Sealed and maintenance free operation.
- Non-Spillable construction design.
- ABS containers and covers (UL94HB, UL94V-0) optional.
- Safety valve installation for explosion proof.
- High quality and high reliability.
- Exceptional deep discharge recovery performance.
- Low self-discharge characteristic.
- Flexibility design for multiple install positions.



Application

- | | |
|------------------------|-------------------|
| Alarm System | Medical Equipment |
| Cable Television | UPS |
| Power tools | Power tools |
| Emergency Power System | Control Equipment |
| Security System | Toys |

CONSTRUCTION								
Component	Positive plate	Negative plate	Container	Cover	Safety valve	Terminal	Separator	Electrolyte
Raw material	Lead dioxide	Lead	ABS	ABS	Rubber	Copper	Fiberglass	Sulfuric acid

TECHNOLOGY PARAMETER				
Battery model	MK6-7			
Designed Floating Life	5 Years			
Capacity	20hR(0.35A, 5.25V)	10hR(0.683A,5.25V)	5hR(1.16A, 5.25V)	1hR(4.6A, 4.80V)
	7.0Ah	6.83Ah	5.8Ah	4.6Ah
Dimensions	Length	Width	Height	Total Height
	151±1mm	34±1mm	94±1mm	100±1mm
Approx. weight (±3%)	1.10Kg			
Internal resistance	Full charged at 25 °C: Approx . 14mOhms			
Self-discharge	3% of capacity declined per month at 25 °C (average)			
Capacity Affected	40 °C	25 °C	0 °C	-15 °C
by Temp.(20HR)	102%	100%	85%	65%
Charge Voltage (25 °C)	Cycle use		Float use	
	7.25-7.45V(-15mV/°C), max. Current: 2.1A		6.8-6.9V (-10mV/°C)	

End Point	5min	10min	15min	30min	1h	3h	5h	10h	20h
Volts/Cell									
1.60V	24.90	17.40	13.30	7.47	4.60	1.93	1.26	0.718	0.368
1.65V	23.60	16.60	12.60	7.17	4.52	1.87	1.23	0.705	0.359
1.70V	22.20	15.70	12.00	6.86	4.40	1.80	1.19	0.691	0.355
1.75V	20.80	14.80	11.30	6.52	4.22	1.73	1.16	0.683	0.350
1.80V	19.40	14.00	10.70	6.19	4.01	1.65	1.12	0.669	0.344

End Point	5min	10min	15min	30min	1h	3h	5h	10h	20h
Volts/Cell									
1.60V	46.00	32.20	24.70	14.00	8.65	3.65	2.39	1.37	0.71
1.65V	43.50	30.60	23.30	13.30	8.44	3.51	2.32	1.34	0.69
1.70V	40.70	28.80	22.00	12.70	8.19	3.37	2.24	1.31	0.67
1.75V	37.90	26.90	20.70	12.00	7.80	3.21	2.16	1.28	0.66
1.80V	35.00	25.20	19.30	11.30	7.34	3.03	2.07	1.24	0.64

