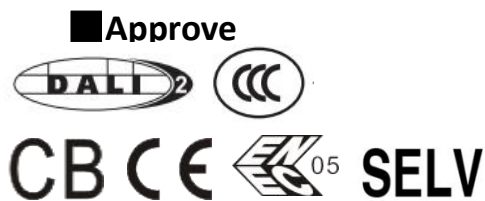
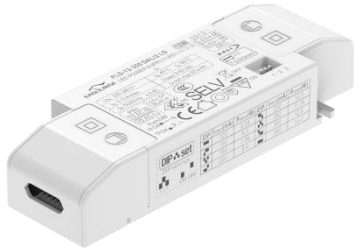


## 12W DALI + PUSH Dimming power supply



### Features

- Class II, SELV, built-in
- Input Voltage 220-240VAC
- Protections: SCP/OLP/OVP/OTP
- Power Factor : 0.9C
- Efficiency : 82%
- Support DALI-2, Push Dimming
- 5 years warranty

### Applications

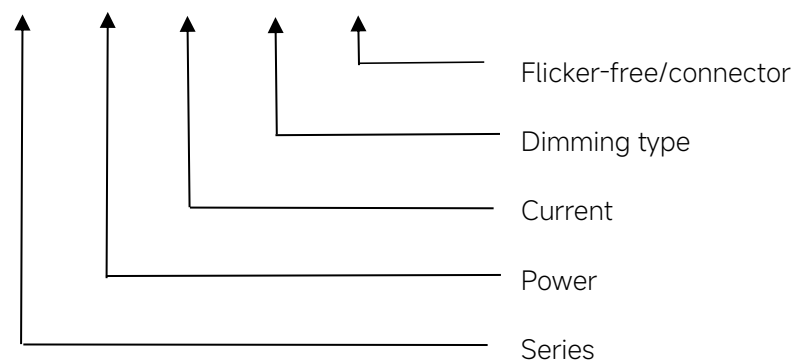
- LED strips, LED panel, Spot light  
Down light

### ◆ Description

FLS-12-350 DALI2 LD is a 12W constant current LED driver with 120 to 350mA output current and a forward voltage range from 9 to 42Vdc. The output current is adjustable by DIP Switch. With it's dimensions from 119 x 40 x 21.5 mm it is easy to integrate in LED strips, LED panel, spot and down light products. To ensure trouble-free operation, protection is provided against output short circuit and over Load.

### ◆ Model code

#### FLS-12-350 DALI-2 LD



## ◆ Specification

Input	Rated input voltage	220-240VAC
	Range of input voltage	198-264VAC
	Range of input voltage(DC)	176-280V
	Frequency(Hz)	0/50/60 Hz
	Displacement factor	≥0.7@Full load, 230VAC
	Power Factor	λ:0.9C@220-240VAC, full load
	Input Current max	0.12A MAX. @Full Load,198VAC
	Start-up time	< 0.5S
	Unload Power Consumption	≤0.5W
	Inrush Current	30A Max. /50μs@230V, Full Load, 50%Ipk-50%Ipk
	THD	<10%@ Full Load, 230VAC
	Leakage Current	< 0.7mA(240VAC)
Output	Constant Current Max.	120/.../350mA
	Unload voltage Max.	57VDC
	Voltage Range(VDC)	9-42VDC
	Rated power	14.7W Max.
	Current Accuracy	±5%@250mA-350mA 220-240VAC, ±7%@120mA-200mA 220-240VAC
	Hold-up Time	1s max. @Full Load
	Output HF current ripple(≥1KHz)	≤±5%@Full Load, 230VAC
	Output LF current ripple(≤120Hz)	≤±5%@Full Load, 230VAC
	SVM	≤0.4@Full Load
	P <sub>st</sub>	≤1@Full Load
	Standby Power	≤0.5W
	Network standby power	≤0.5W
	Efficiency(Typ.)	≥82%@Full Load, 230VAC
	power range	5.04-14.7W
Dimming	Dimming	YES
	Dimming mode	DALI-2 IEC 62386-101,102,207 & Push
	Dimming depth	1%
	Dimming current range	1 ~100%
Wiring	Input PIN numbers	4 PINS
	Input PIN cross section	0.5-1.5mm <sup>2</sup>
	Input wire gauge.	N/A
	Output PIN numbers	2 PINS
	Output PIN cross section	0.5-1.5mm <sup>2</sup>
	Output wire gauge	N/A
Protection	Over Load Protection	103-120%
		Protection type: Latch --

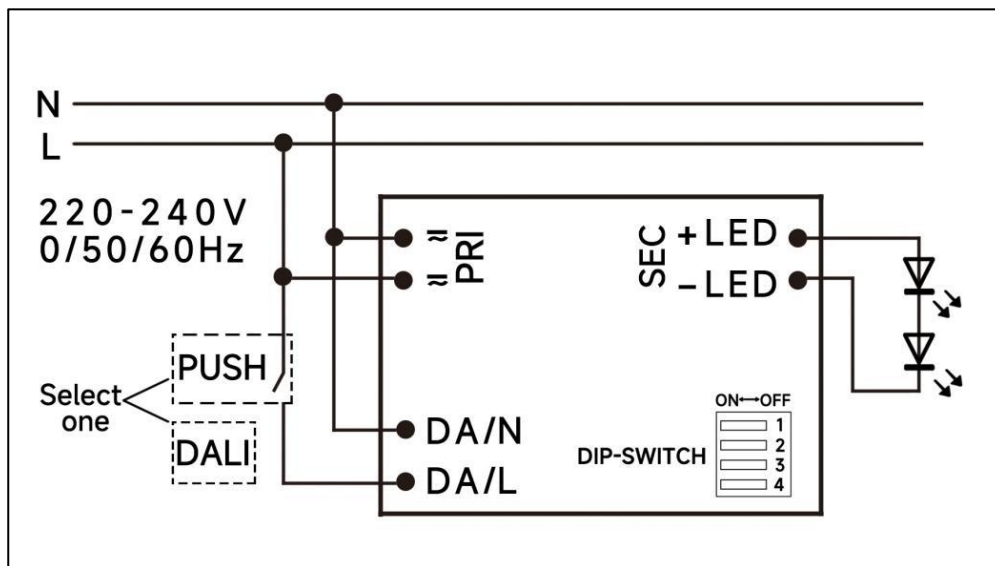
	Over Voltage Protection	> 57VDC			
		Protection type: Latch --			
	Short circuit Protection	Protection type: Latch --			
	Over Temperature Protection	Protection type: Auto Resume			
	Type of protection	IP20			
Environment	Operating Temperature	-20°C...+45°C			
	Humidity	20%-90%RH			
	Tc (Max)	80°C			
	Storage Temperature	-25°C...+60°C			
	Insulation grade	Class II			
	Life time	> 50000h@45°C @Full Load, 230VAC			
Surface	Dimension	With side caps :85X40X21.5mm			
		Without side caps :119X40X21.5mm			
	Pieces per box	N/A			
	Weight	N/A			
	Shell material	N/A			
	Shell color	White			
Circuit Breaker	B10	B13	B16	B20	B25
	C10	C13	C16	C20	C25
Safety & EMC	Safety standards	EN 61347-1; EN61347-2-13; EN62384			
	Withstand voltage	Input-Output: 3750V/5mA/1min			
		Input- Enclosure: N/A			
	Isolation resistance	Input-Output: ≥4MΩ@500VDC			
	EMI	EN55015; EN61000-3-2 Class C; EN61000-3-3			
	EMS	EN 61547; EN 61000-4-2; EN 61000-4-5 —1000V;			
	Certifications	CE/CB/ENEC/CCC			
	ErP	EU 2019/2020			
	ROHS	ROHS (2011/65/EU) (EU)2015/863			
Others	Warranty	5 years			
Note	<p>1.All parameters NOT specially mentioned are measured at 230VAC input , full load and 25°C of ambient temperature.</p> <p>2.Ripple &amp; Noise are measured at 20MHz of bandwidth by using a 300mm twisted pair-wire terminated with a 0.1uF &amp; 47 uF parallel capacitor.</p> <p>3.Output current can be from 300mA to 700mA. Please see Model list below and contact EAGLERISE for details.</p>				

## ◆ Parameter

Number	Output				Switch position		
	Current (mA)	Voltage (VDC)	Voltage No load (VDC)	Power (W)	1	2	3
1	120mA	9-42VDC	57	5.04	--	--	--
2	150mA	9-42VDC	57	6.3	--	--	ON
3	180mA	9-42VDC	57	7.56	--	ON	--
4	200mA	9-42VDC	57	8.4	--	ON	ON
5	250mA	9-42VDC	57	10.5	ON	--	--
6	280mA	9-42VDC	57	11.76	ON	--	ON
7	300mA	9-42VDC	57	12.6	ON	ON	--
*8	350mA	9-42VDC	57	14.7	ON	ON	ON

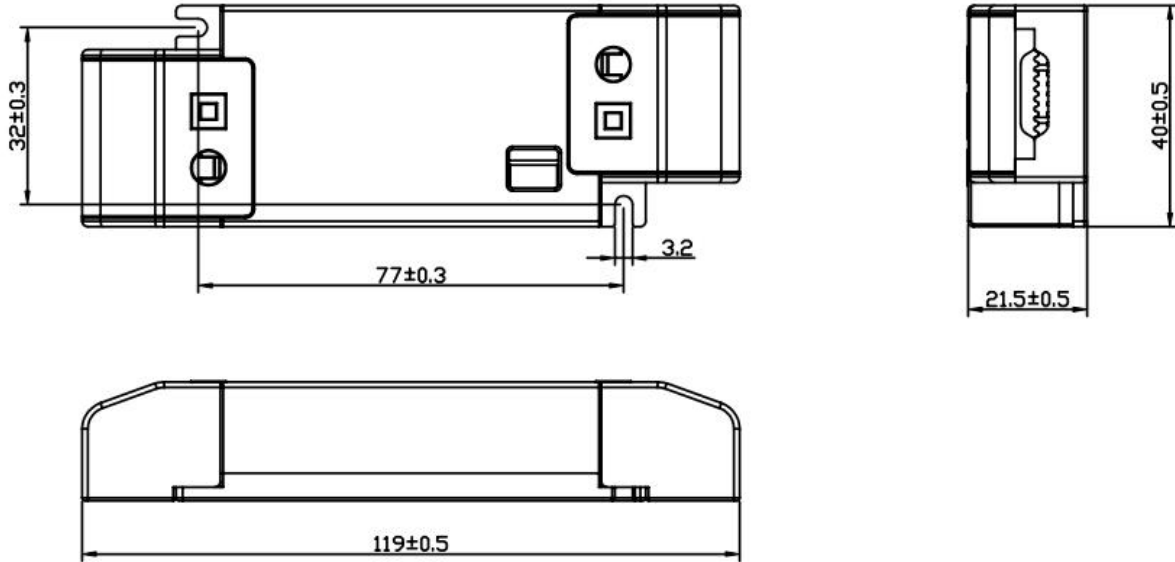
\* Factory default

## ◆ Wiring diagram

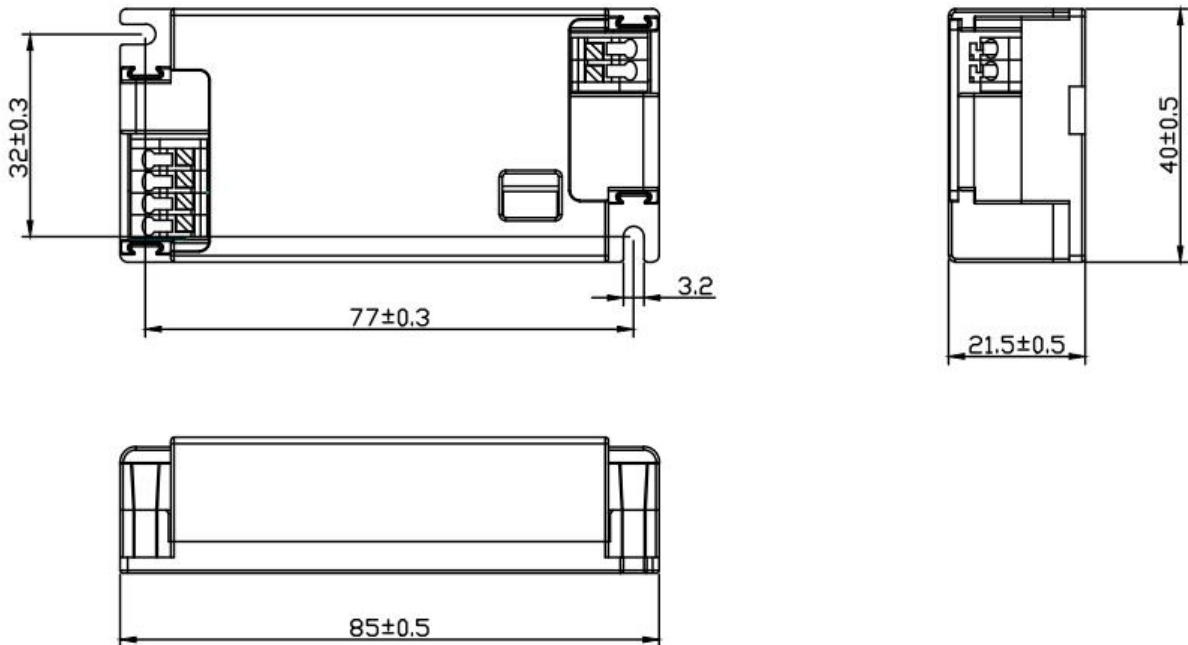


◆ **2D diagram**

Without side caps



With side caps

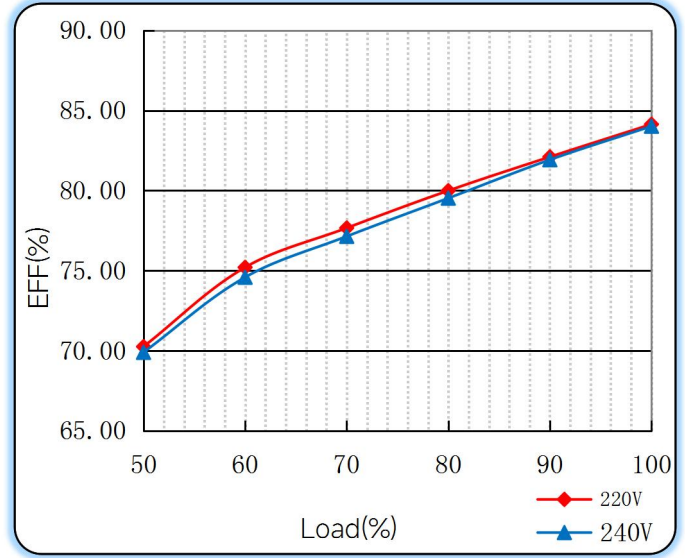
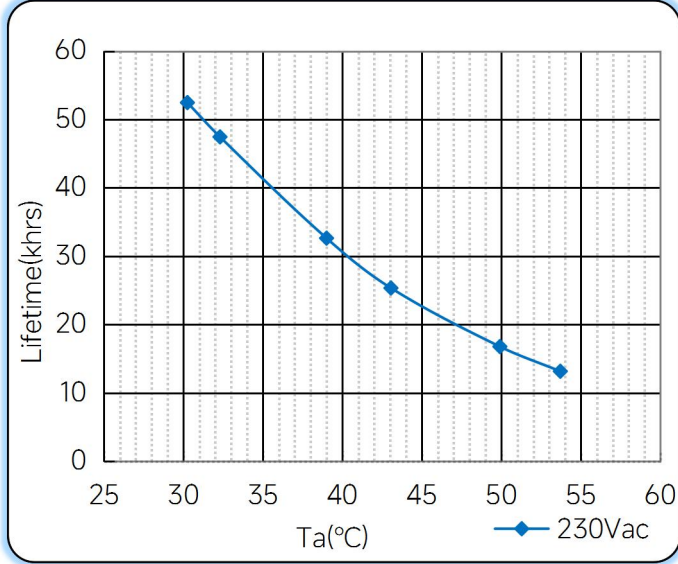


## ◆ Curve for FLS-12-350 DALI-2 LD, $I_o=350mA$

Lifetime vs. Ambient Temperature Curve

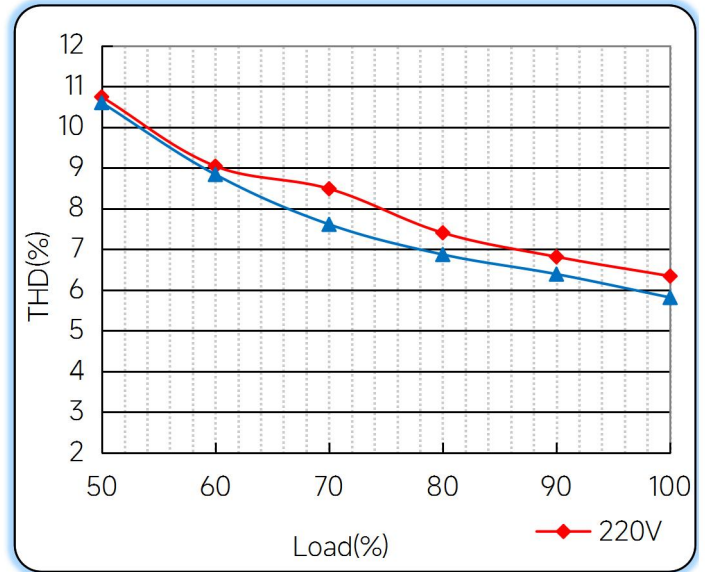
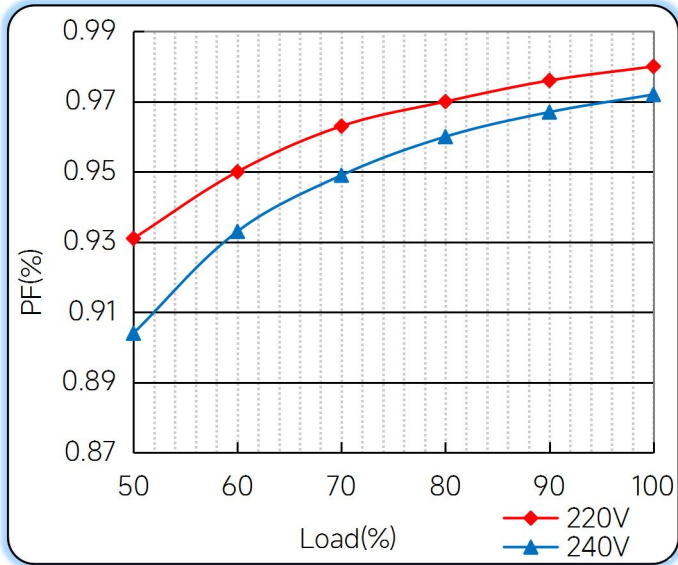
Efficiency vs. Load

数据太差，不通过

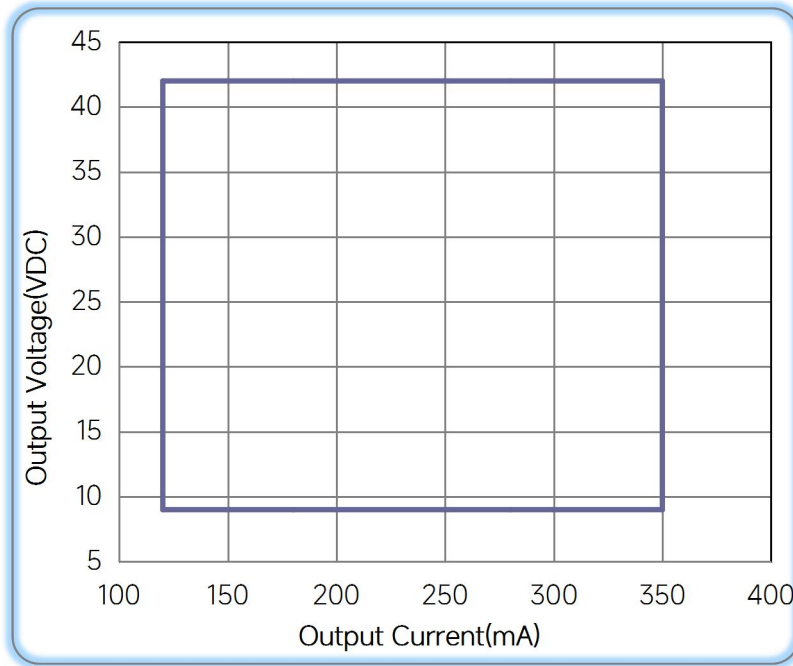


Power Factor Characteristics

THD vs. Load



◆ **Operating window**



Operating window 100%

◆ **Revision Updates**

ITEM	BEFORE	AFTER	VERSION	DATE
Initial			A	2022/02/15

Tel: (86 757) 8252 3552, 8625 6816

Fax: (86 757) 8626 9260, 8625 6780

E-mail: sales@eaglerise.com

Website : <https://lighting.eaglerise.com/index.aspx>



EAGLERISE



Manual