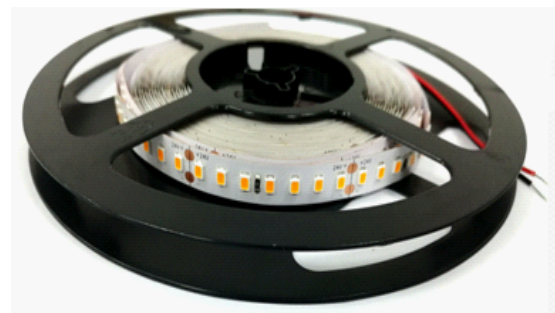


# PLCC 2835 Pro Series Lightbar IP20 Datasheet



## Product description :

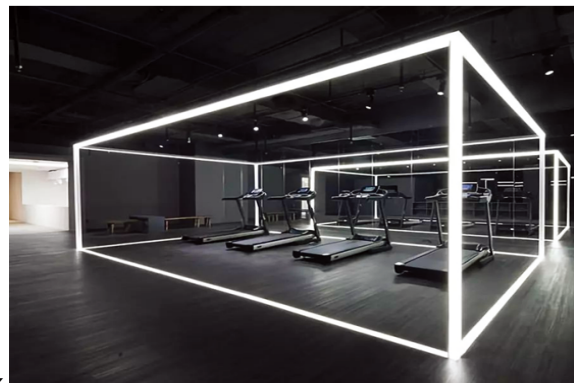
- 24 V constant voltage strip (SELV)
- High Brightness SMD LED
- Low Power Requirement & Energy Efficient
- Suitable for Restricted Space

## Features and benefits :

- Small color tolerance (Macadam 3), Ra > 80
- Color temperature 2,700, 3,000, 4,000 and 5,700 K
- Self-adhesive 3M tape at the backside for simple mounting on different surfaces
- 3-5-year guarantee

## Typical Applications :

- Auditorium Walkway Lighting
- Stairway Accent Lighting
- Cabinet Lightin



## Table of Contents

---

General Information.....	3
Technical data.....	3
Product Dimensions.....	4
Electric-Optical Characteristics .....	5
Standards .....	6
Thermal details.....	6
Product Packaging Information.....	7
Precaution for Use.....	8
Environmental Compliance .....	8
Application Notes.....	8
Revision History .....	9
About Edison Opto .....	9

## General Information

### Ordering Code Format

6  
X1
L B R 1  
X2
xx  
X3
J  
X4
E 0  
X5
S  
X6
xxx  
X7
xx  
X8

X1 Item	X2 Series	X3 Emitting Color	X4 Driver	X5 Length				
6	Module	LBR1	FPC	CW    Cool White NW    Neutral White WW    Warm White	J	CV 24V	E0	5.0M

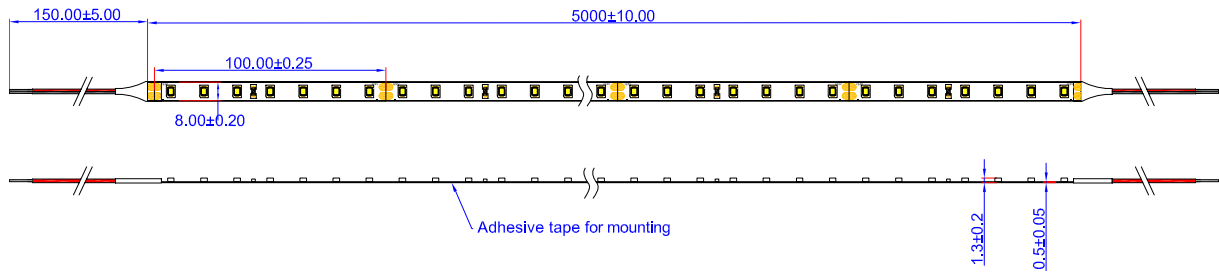
X6 Emitter	X7 Number of LEDs(M)	X8 Serial No.	
S	2835	070    70pcs 112    112pcs	xx    -

## Technical data

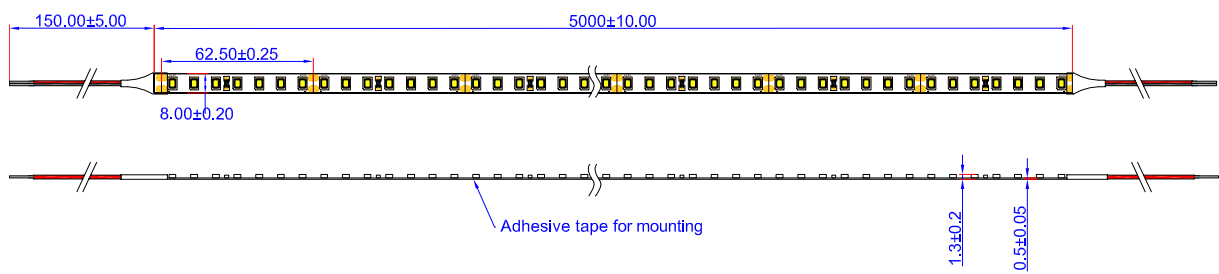
Parameter	Value	Units
Beam characteristic	120	°C
Ambient temperature range	-25~ +45	°C
Tp rated	65	°C
Tc	75	°C
DC supply voltage	24	V
Type of protection	IP20	
Color Temperature	2700	K
	3000	K
	4000	K
	5700	K
Number of connection	5	M
Risk group(EN62778)	1	
Classification acc. to	IEC62031	
	IEC62778	
	IEC62717	
	IEC61000-4-2	

## Product Dimensions

### 2835-70LEDs/M Series Dimensions (CV 24V IP20)



### 2835-112LEDs/M Series Dimensions (CV 24V IP20)



**Notes:**

1. All dimensions are in millimeters.
2. Tolerance is  $\pm 0.20$  mm

## Electric-Optical Characteristics

### 2835-24V-70LEDS/M

Order code	Color	CCT (K/)	Input Voltage (CV)	Number of LEDs (M)	Power (W/M)	LED lm(M)	Efficacy (lm/w)	Ra	IP
6LBR1WWJE0S07016	Warm White	2700K	24	70	4.8	600lm	125	80	20
6LBR1WWJE0S07014	Warm White	3000K	24	70	4.8	624lm	130	80	20
6LBR1NWJE0S07014	Neutral White	4000K	24	70	4.8	672lm	140	80	20
6LBR1CWJE0S07013	Cool White	5000K	24	70	4.8	672lm	140	80	20
6LBR1CWJE0S07014	Cool White	5700K	24	70	4.8	672lm	140	80	20

### 2835-24V-112LEDS/M Series

Order code	Color	CCT (K/)	Input Voltage (CV)	Number of LEDs (M)	Power (W/M)	LED lm(M)	Efficacy (lm/w)	Ra	IP
6LBR1WWJE0S11203	Warm White	2700K	24	112	9.6	1200lm	125	80	20
6LBR1WWJE0S11201	Warm White	3000K	24	112	9.6	1248lm	130	80	20
6LBR1NWJE0S11201	Neutral White	4000K	24	112	9.6	1344lm	140	80	20
6LBR1CWJE0S11213	Cool White	5000K	24	112	9.6	1344lm	140	80	20
6LBR1CWJE0S11201	Cool White	5700K	24	112	9.6	1344lm	140	80	20
6LBR1WWJE0S11205	Warm White	2700K	24	112	6	780lm	130	80	20
6LBR1WWJE0S11206	Warm White	3000K	24	112	6	810lm	135	80	20
6LBR1NWJE0S11206	Neutral White	4000K	24	112	6	870lm	145	80	20
6LBR1CWJE0S11207	Cool White	5000K	24	112	6	870lm	145	80	20
6LBR1CWJE0S11206	Cool White	5700K	24	112	6	870lm	145	80	20

Notes:

1. The maximum and minimum lumen flux are based on  $\pm 10\%$  of the typical rate.
2. The maximum and minimum inout power are based on  $\pm 10\%$  of the typical rate.
3. Color region stay within Macadam 3-Step

## Standards

---

### Energy classification

Type	CCT	Energy Classification
2835-24v-70LED/M Series	2700/3000K	A+
	4000/5700K	A+
2835-24v-112LED/M Series	2700/3000K	A+
	4000/5700K	A+

## Thermal details

---

### Storage and humidity

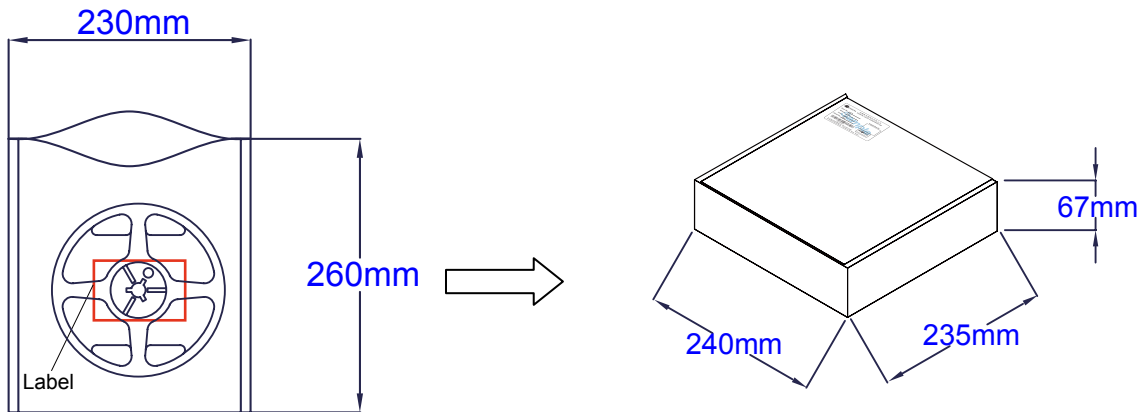
Storage temperature:-35 ... +70 °C

Operation only in non condensing environment.



Humidity during processing of the module should be between 0 to 70 %

## Product Packaging Information

Package Type	Part No.	6LBR1xWJE0Sxxxxx	Dimension
Antistatic bag		1 Reel	260mm x 230mm
Inside box		5 Antistatic bags	240mm x 235mm x 67mm
Outside box		10 Inside boxes	488mm x 364mm x 261mm

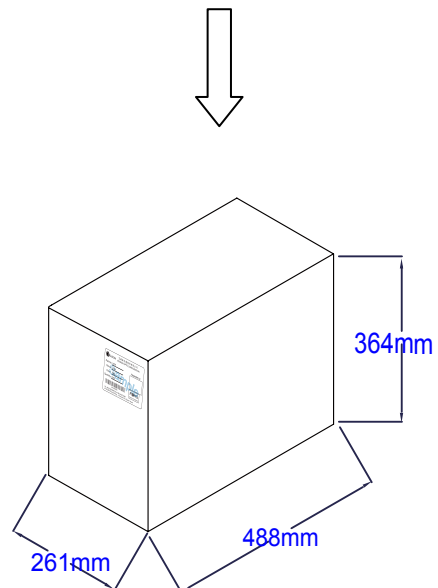


EX:

 <b>EDISON</b> EDISON OPTO CORPORATION	
Part No: <u>6LBR1WWJE0S11201</u>	pro series
<u>9.6W/M24V IP20</u>	Inspected By: <input type="text"/>
CCT: <u>3000K/Ra80 (3steps)</u>	 RoHS Directive Compliance
Quantity: <u>1 Reel (5M)</u>	
Lot No: <u>D0529-111900001223</u>	

### Label information

Part NO. : Order code  
 Color : Color temperature and steps  
 Quantity : The number of packing  
 Lot NO. : Date code



## Precaution for Use

---

1. DO NOT use the products with materials has Sulfur.
2. DO NOT assemble in humid environment or the conditions of containing oxidizing gas such as C1, H<sub>2</sub>S, NH<sub>3</sub>, SO<sub>2</sub>, NO<sub>X</sub>, etc.
3. DO NOT add or change wires while the circuit of Module is active. Long time exposure to sunlight or UV should be avoided.
4. DO NOT press the product; even a slight pressure may damage the product. The environments such as high temperatures, high humidity or direct expose to sunlight should be avoided since the product is sensitive to these conditions.
5. Installation of LED modules (with power supplies) needs to be made with regard to all applicable and safety standards. Only qualified personnel should be allowed to perform installations.
6. Assembly must not damage or destroy conducting paths on the circuit board.
7. Please ensure that the power supply is of adequate power to operate the total load.
8. The maximum run length from any power feed should be limited to 5000 mm.

## Environmental Compliance

---

PLCC lightbar FPC series are compliant to the Restriction of Hazardous Substances Directive or RoHS. The restricted materials including lead, mercury cadmium hexavalent chromium, polybrominated biphenyls (PBB) and polybrominated diphenyl ether (PBDE) are not used in PLCC lightbar FPC series to provide an environmentally friendly product to the customers.

## Application Notes

---

PLCC Lightbar series are available in red, yellow, green, blue, white, neutral white and warm white for application such as under-cabinet lighting, cove lighting and wall washing. Moreover, additional fine-tuned high color rendering index (CRI) version of white, neutral white and warm white all make PLCC Lightbar the ideal lighting choice for vividly building or decoration products, presenting the products outline.



## Revision History

Versions	Description	Release Date
1	Establish order code information	2020/06/30

## About Edison Opto

Edison Opto is a leading manufacturer of high power LED and a solution provider experienced in LDMS. LDMS is an integrated program derived from the four essential technologies in LED lighting applications- Thermal Management, Electrical Scheme, Mechanical Refinement, Optical Optimization, to provide customer with various LED components and modules. More Information about the company and our products can be found at [www.edison-opto.com](http://www.edison-opto.com)

Copyright©2020 Edison Opto. All rights reserved. No part of publication may be reproduced or transmitted in any form or by any means, electronic or mechanical, including photo copy, recording or any other information storage and retrieval system, without prior permission in writing from the publisher. The information in this publication are subject to change without notice.

[www.edison-opto.com](http://www.edison-opto.com)

For general assistance please contact:  
[service@edison-opto.com.tw](mailto:service@edison-opto.com.tw)

For technical assistance please contact:  
[LED.Detective@edison-opto.com.tw](mailto:LED.Detective@edison-opto.com.tw)